

## Base Kit Installation Instructions

### Queries, orders, customer support

Acermax Pty Ltd  
PO Box 399  
Moonah TAS 7009  
Freecall 1800 314 399  
sales@acermax.com.au

### Attention

Carefully read through the IMPORTANT NOTES and the following installation instructions before installing an ACERMAX product. These must always be issued to the owner/user

This kit contains all the components required for assembly of your purlin base kit system.

**PREPARATION: A firm, level site is required for the base kit to be placed on.**

### Components:

- 2 x un-notched purlins with a 25mm lip facing out for the door and back wall panels. (Note - double door sheds will need bottom pad-bolt receiver removed and a hole drilled into base kit to allow for the pad-bolt at appropriate spot).
- Double sheds will require x 2 the required front and back purlins.
- 2 x notched purlins folded with 25mm lip facing out, these are for the end walls.
- Provided quantity of floor support purlins notched with 15mm flanges (number required for shed size will be listed on back.) Purlin floor supports should be spaced evenly.

### Instructions:

- Build your Gardenstar Shed as per the instructions provided except for Unit base / Anchoring.
- After your shed is erected, from the inside push your un-notched door panel & back purlins (25mm lip out) under the door and back wall. Push the two (notched lip out) end purlins under end walls & square up your shed. Once your shed is square, screw base kit sides together with supplied Button Head Phillips screws.
- Next space remaining floor support purlins evenly in shed and screw down with Phillips Head screws.
- With your base kit and garden shed square, fasten your shed to the base kit by screwing the provided small tek screws through the base of the shed just above the channel into the side of the purlin base kit.

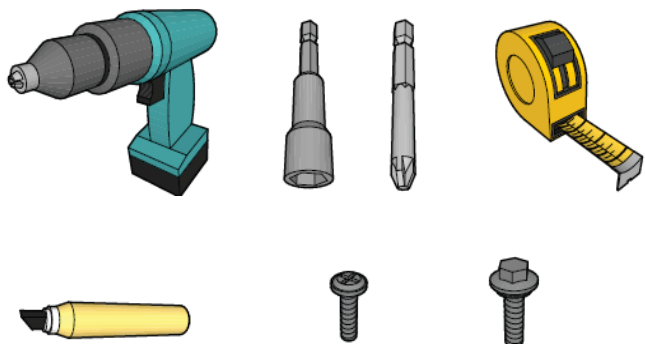
With your shed and base kit installed you will need to secure your Gardenstar shed to the ground with desired fixings and place flooring in shed

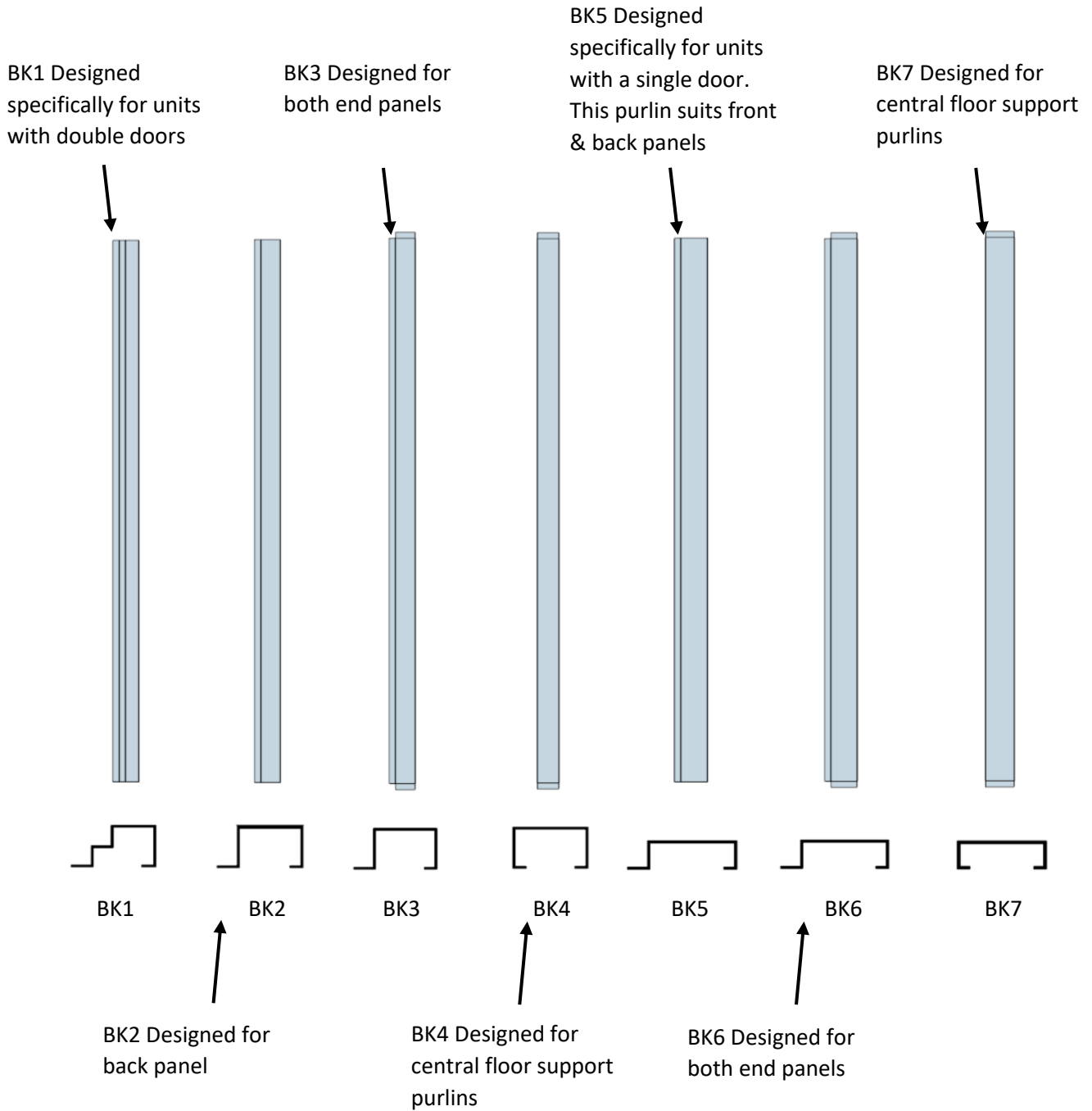
\*Flooring not Supplied

\*Ground fixtures not supplied

Base Kit Chart					
<b>1.5m X 0.78m</b>			<b>4.5m X 2.25m</b>		
BK5	X2		BK1	X1	D/D ONLY
BK6	X2		BK2	X3	
BK7	X1		BK3	X2	
<b>1.5m X 1.5m</b>			BK4	X7	
BK5	X2		<b>4.5m X 3.0m</b>		
BK6	X2		BK1	X1	D/D ONLY
BK7	X2		BK2	X3	
<b>2.25m X 1.5m</b>			BK3	X2	
BK5	X2		BK4	X7	
BK6	X2		<b>5.25m X 2.25m</b>		
BK7	X2		BK1	X1	D/D ONLY
<b>2.25m X 1.8m</b>			BK2	X1	
BK5	X2		BK2	X2	
BK6	X2		BK3	X2	
BK7	X3		BK4	X9	
<b>2.25m X 2.25m</b>			<b>5.25m X 3.0m</b>		
BK5	X2		BK1	X1	D/D ONLY
BK6	X2		BK2	X1	
BK7	X2		BK2	X2	
<b>3.0m X 1.5m</b>			BK3	X2	
BK1	X1	D/D ONLY	BK4	X9	
BK2	X1		<b>6.0m X 2.25m</b>		
BK3	X2		BK1	X1	D/D ONLY
BK4	X5		BK2	X3	
<b>3.0m X 2.25m</b>			BK3	X2	
BK1	X1	D/D ONLY	BK4	X11	
BK2	X1		<b>6.0m X 3.0m</b>		
BK3	X2		BK1	X1	D/D ONLY
BK4	X5		BK2	X3	
<b>3.0m X 3.0m</b>			BK3	X2	
BK1	X1	D/D ONLY	BK4	X11	
BK2	X1				
BK3	X2				
BK4	X5				

Items needed to put your base kit together





Use the base kit chart to find which purlins are suited for your shed

Each purlin has a tag with the purlin type

Evenly space support purlins in the center of your Base Kit

Use your Phillips Heads screws to join your base kit together as shown below

