
ACERMAX

Installation Instructions

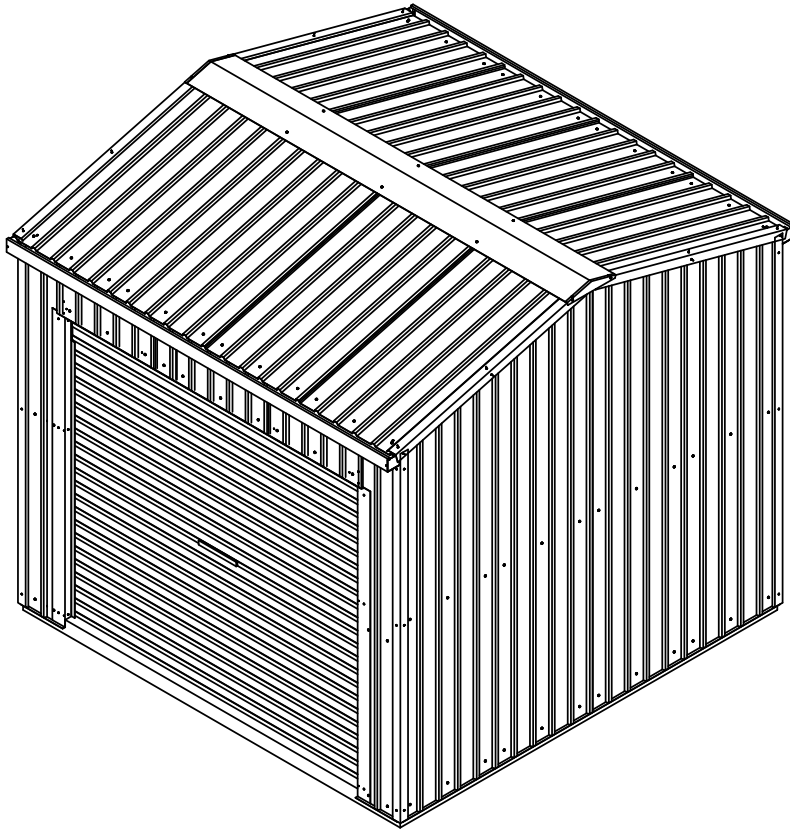
AP3030 ROLLER DOOR GABLE ROOF

Queries, orders, customer support

Southland Industries Pty Ltd
PO Box 399
Moonah TAS 7009
Freecall 1800 656 771
info@southlandind.com.au

Attention

Carefully read through the IMPORTANT NOTES and the following installation instructions before installing an ACERMAX product. These must always be issued to the owner/user



Trademarks used in this document are protected and registered trademarks of the respective holder.

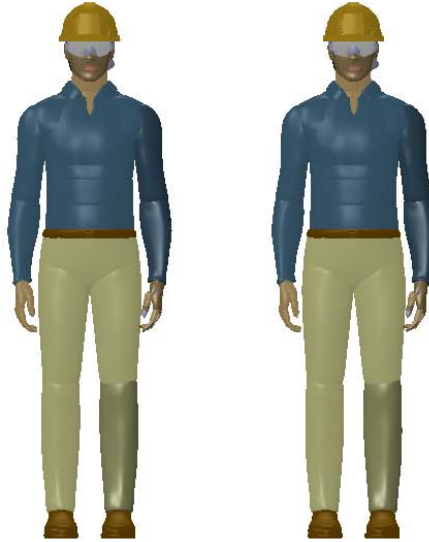
© GARDENSTAR All rights reserved.

Reprints are only permitted with special approval.

ATTENTION

ENSURE ALL SURFACES ARE FREE FROM METAL SWarf & DRILLING RESIDUE.

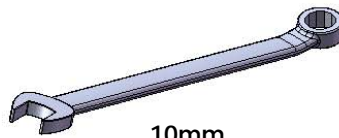
This can cause corrosion which WILL NOT be covered by the manufacturer's guarantee.



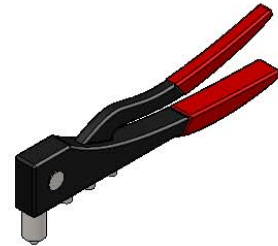
RECOMMENDED



1/8"



10mm



48x



208x



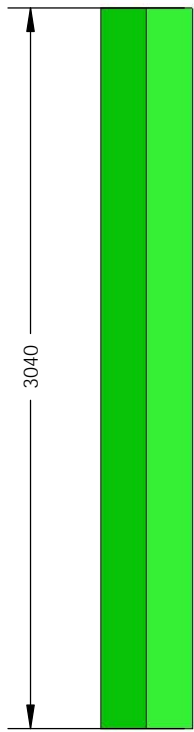
30x



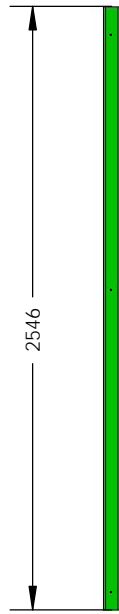
13x



68x



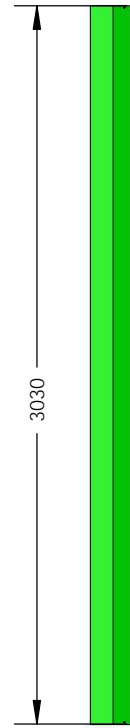
FL10
1x



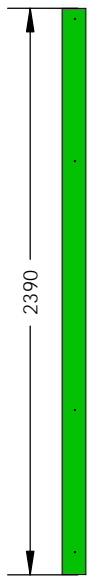
FL21
4x



FL30
4x



FL40
2x



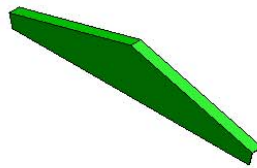
FL70
1x



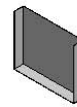
FL80
1x



FL81
1x



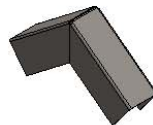
FL50
2x



FL60
4x



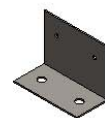
BR10
2x



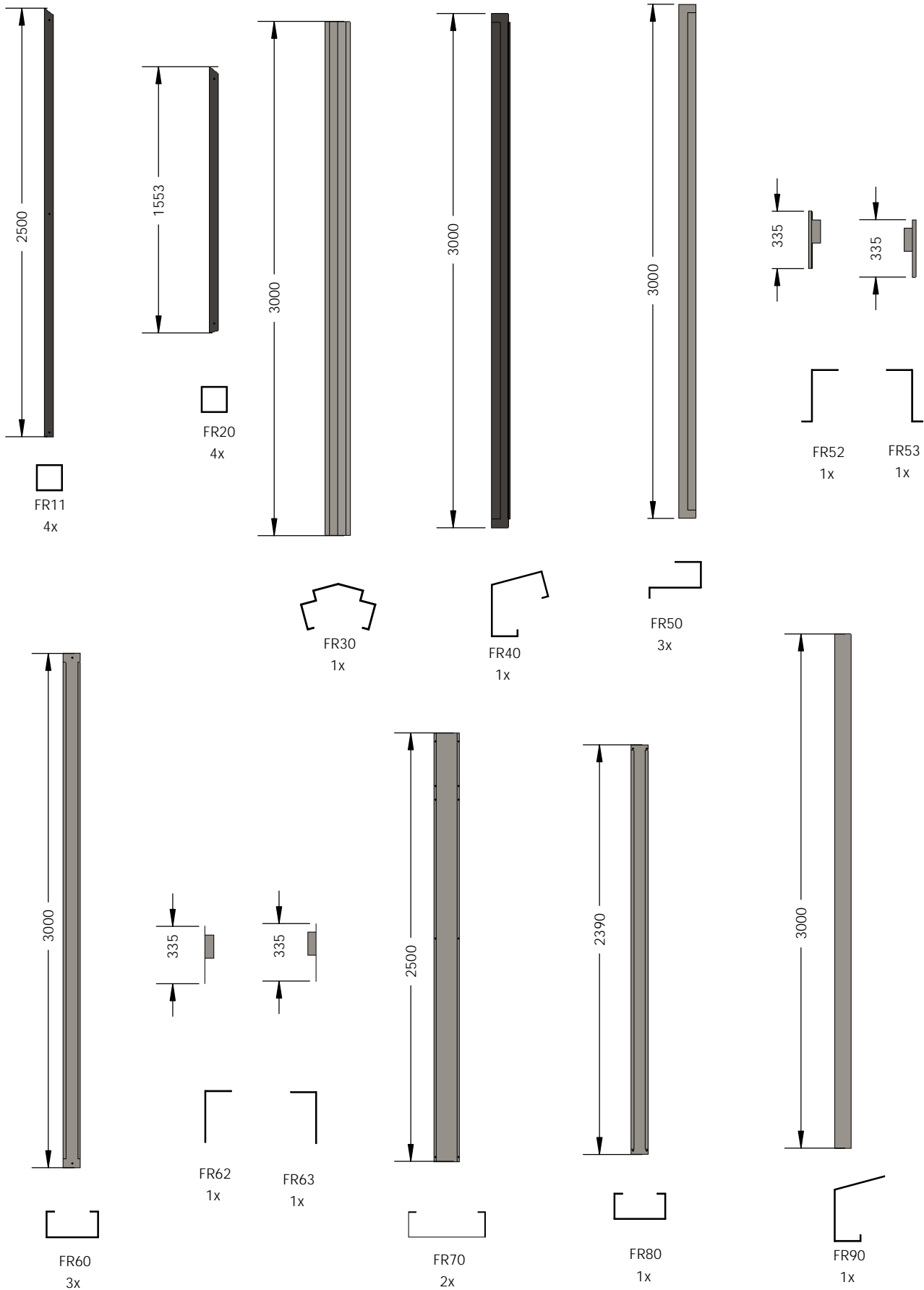
BR20
4x

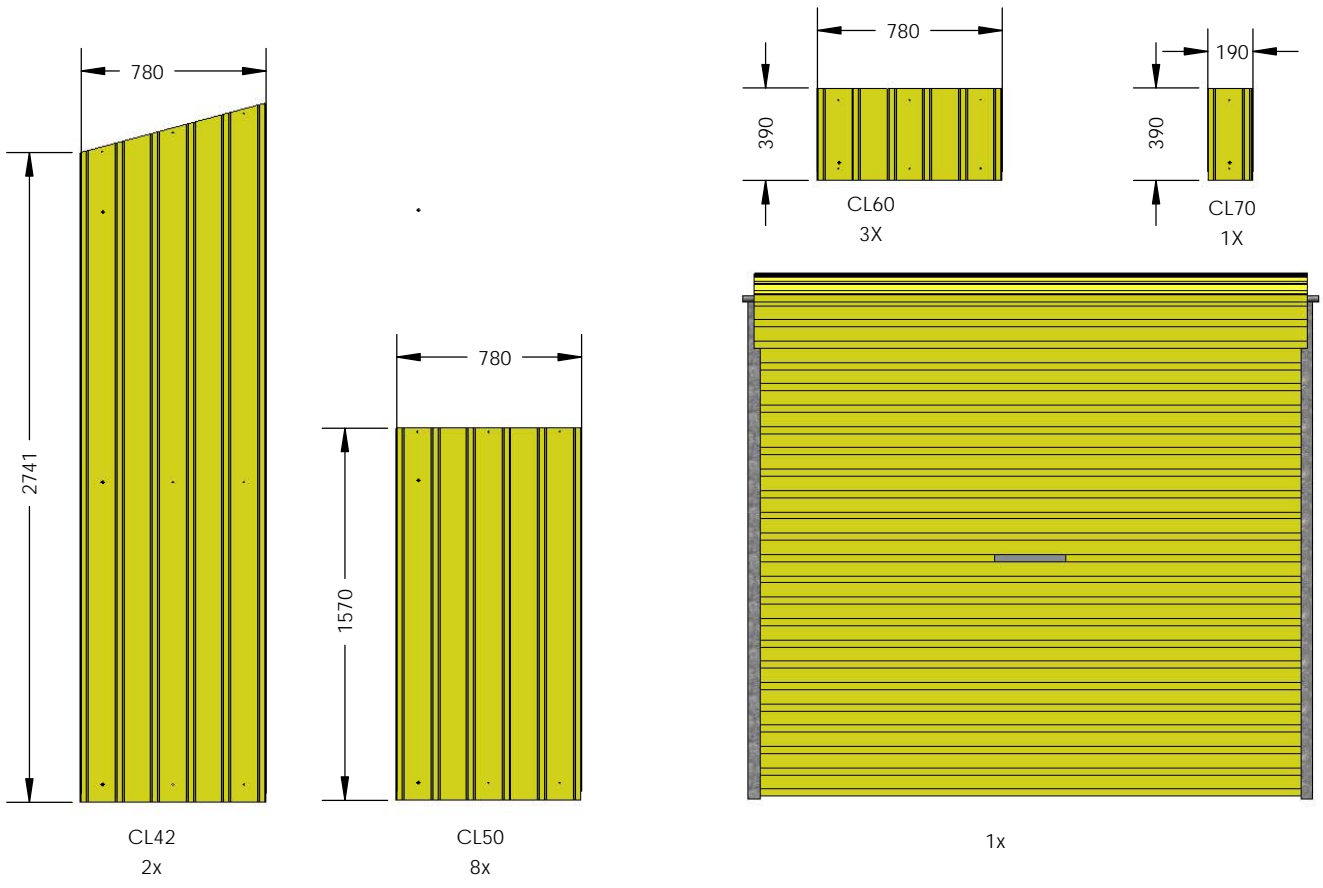
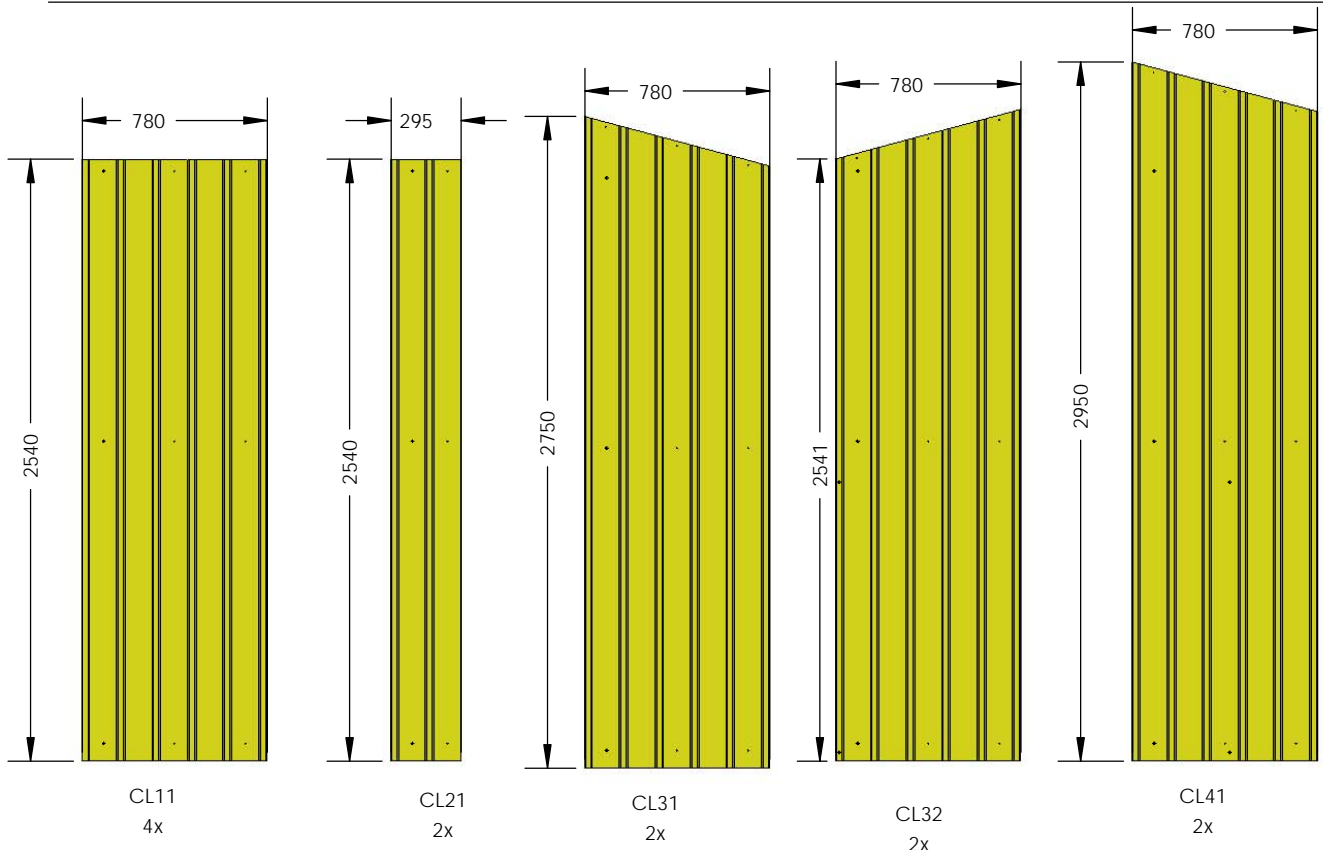


BR30
9x

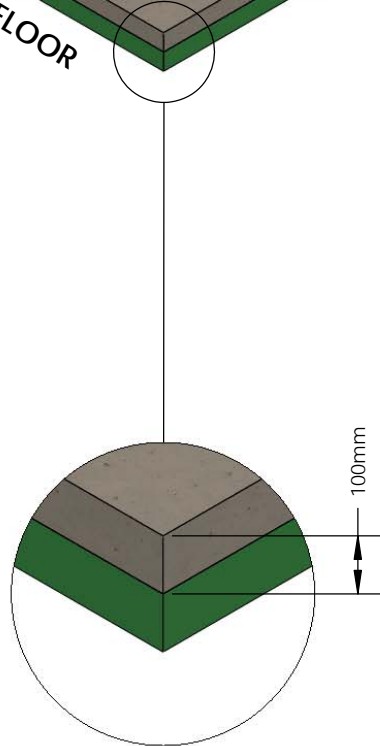
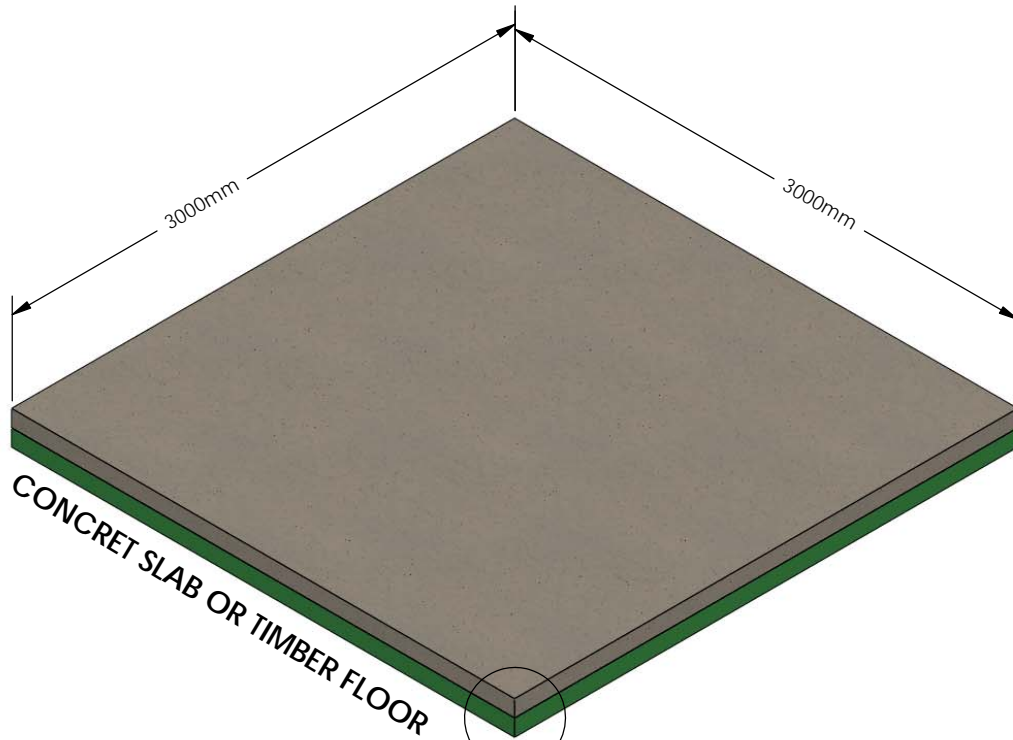


BR40
2x



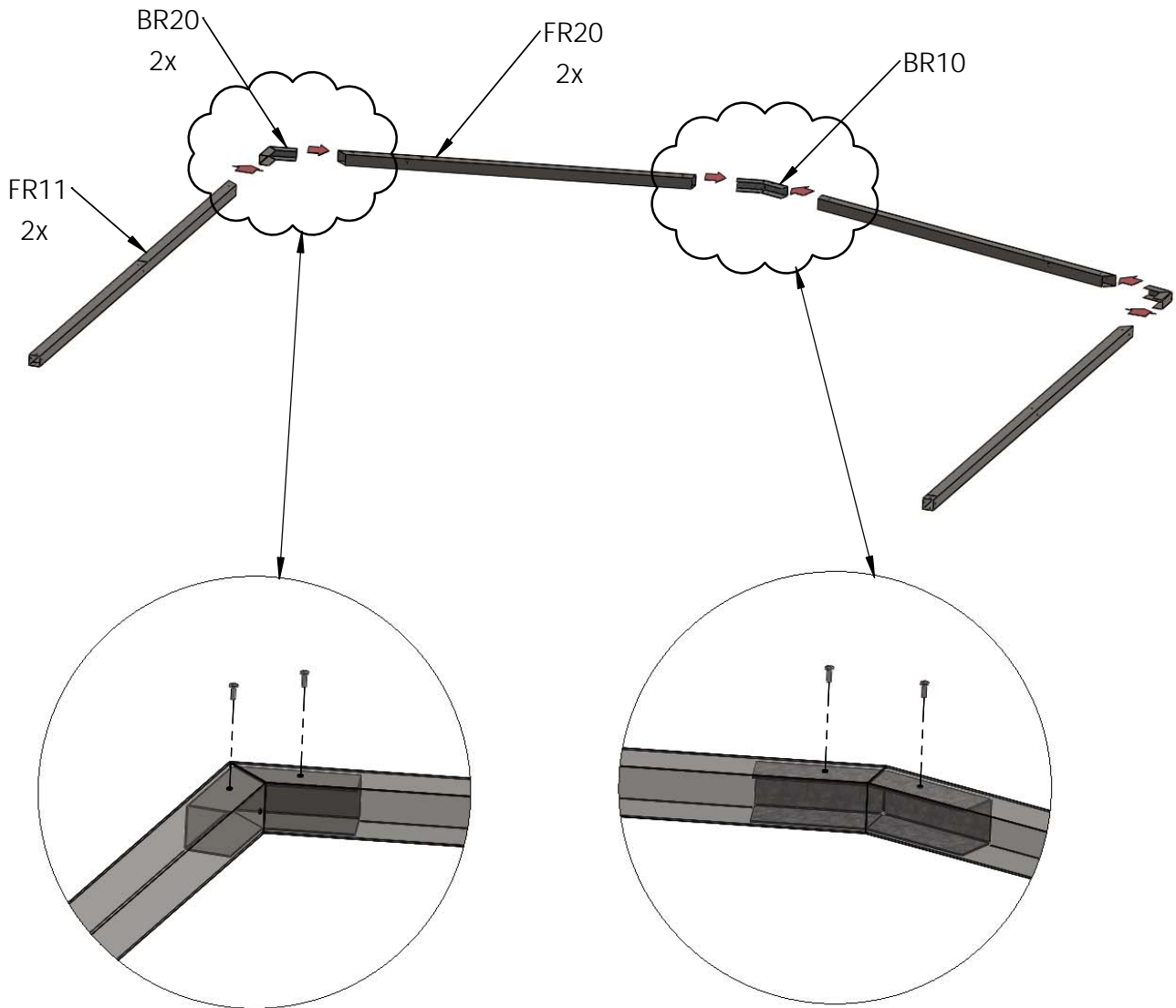


1



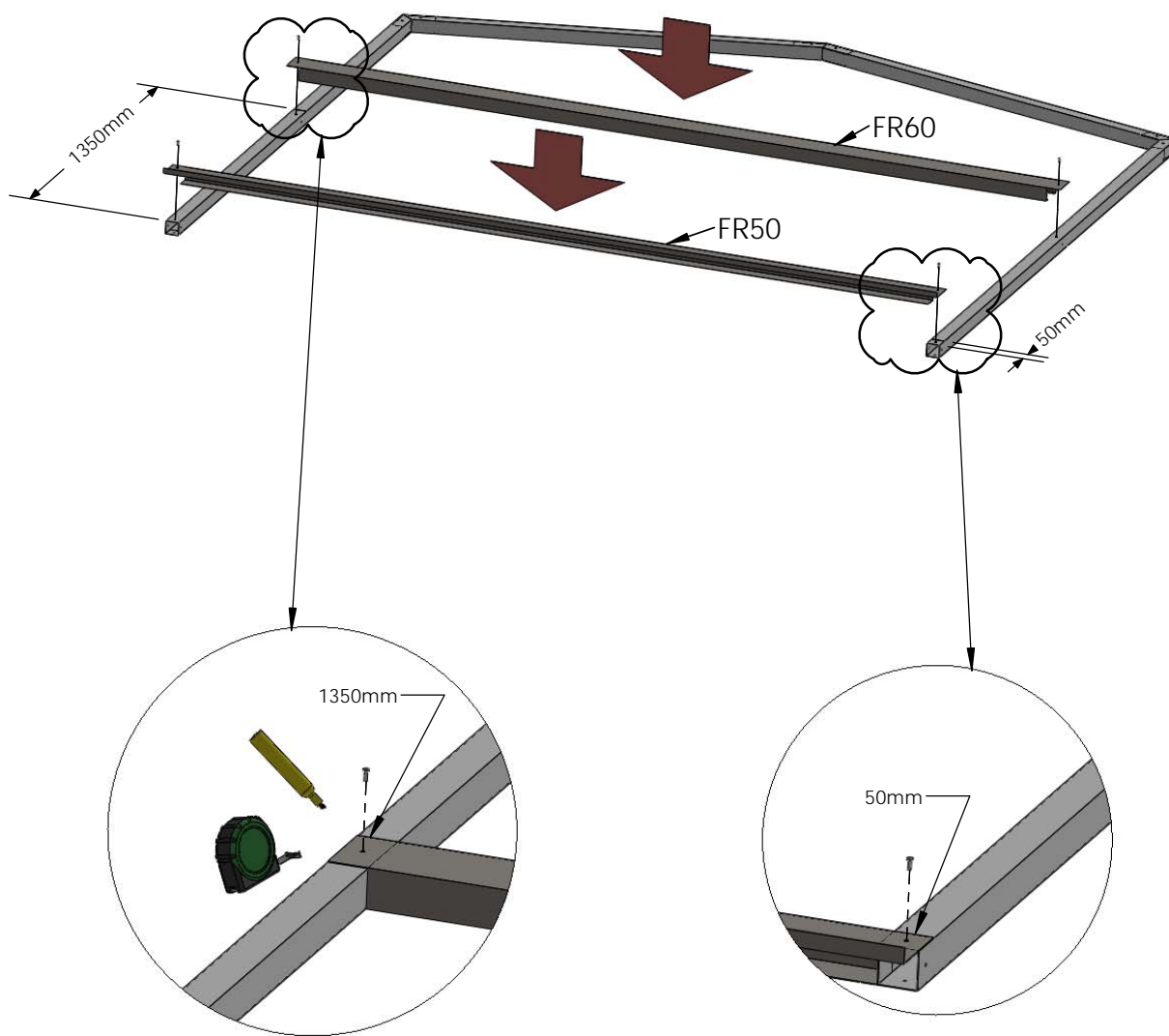
DETAIL A

2



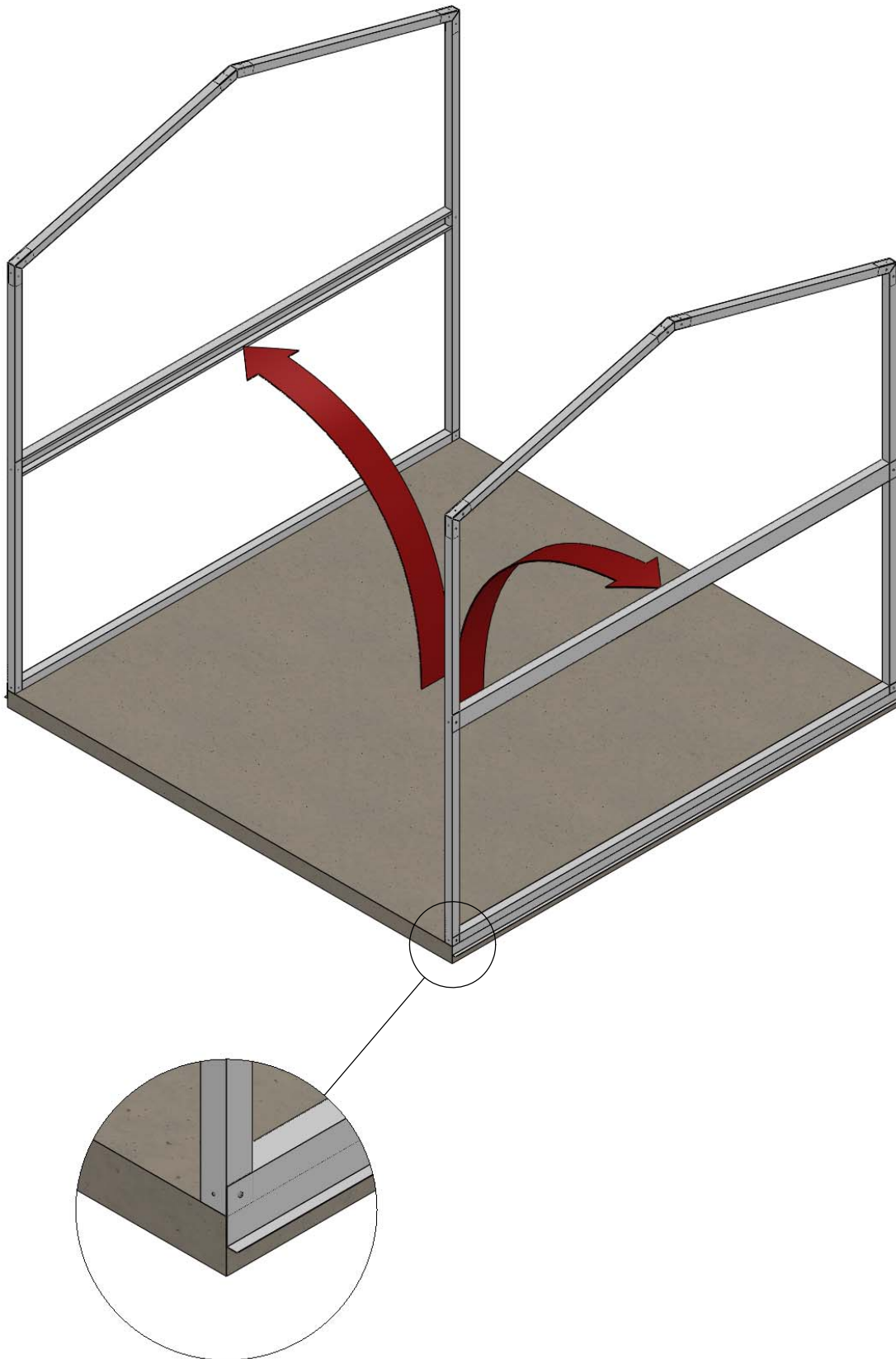
6x

3 (2x)

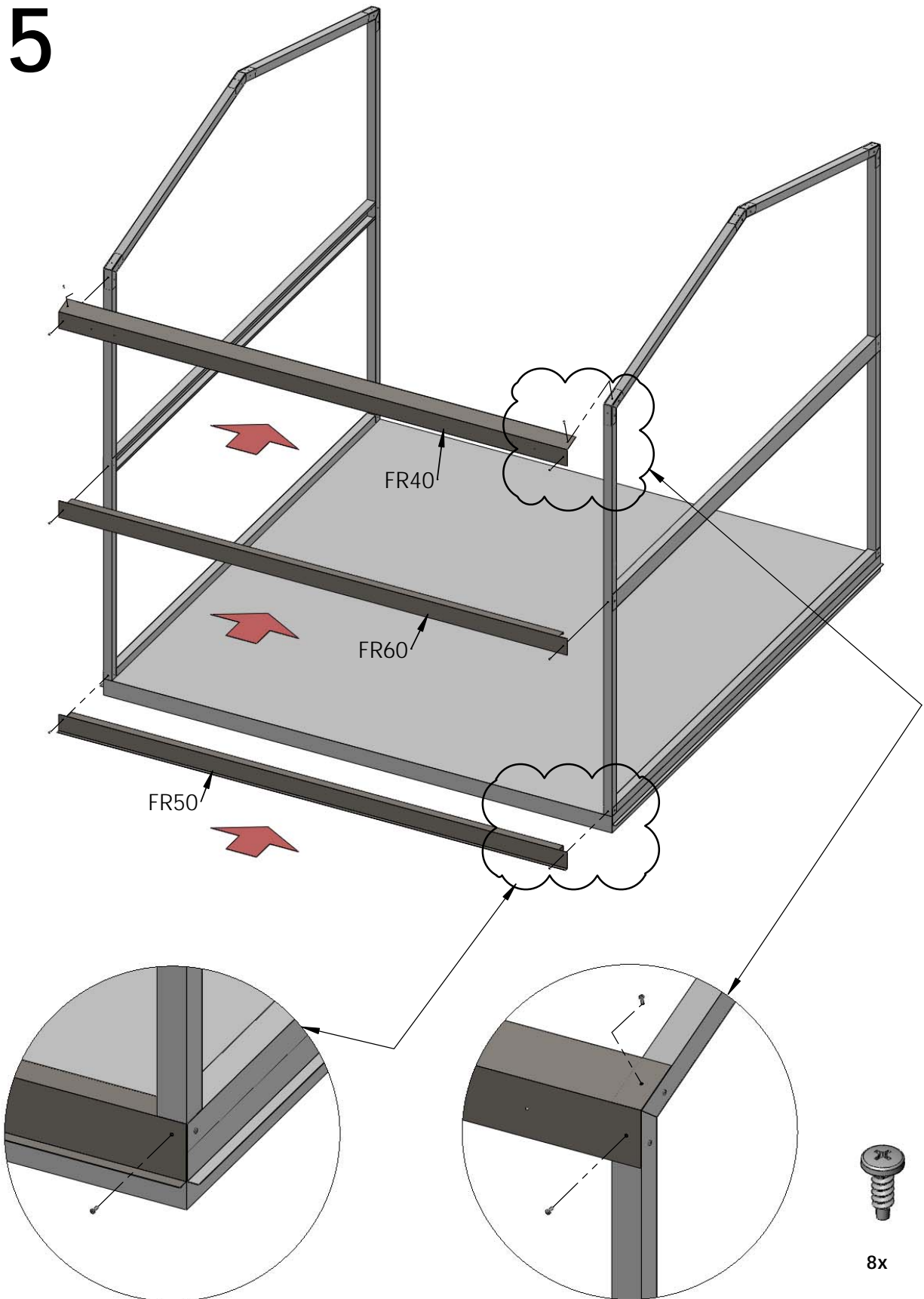


4x

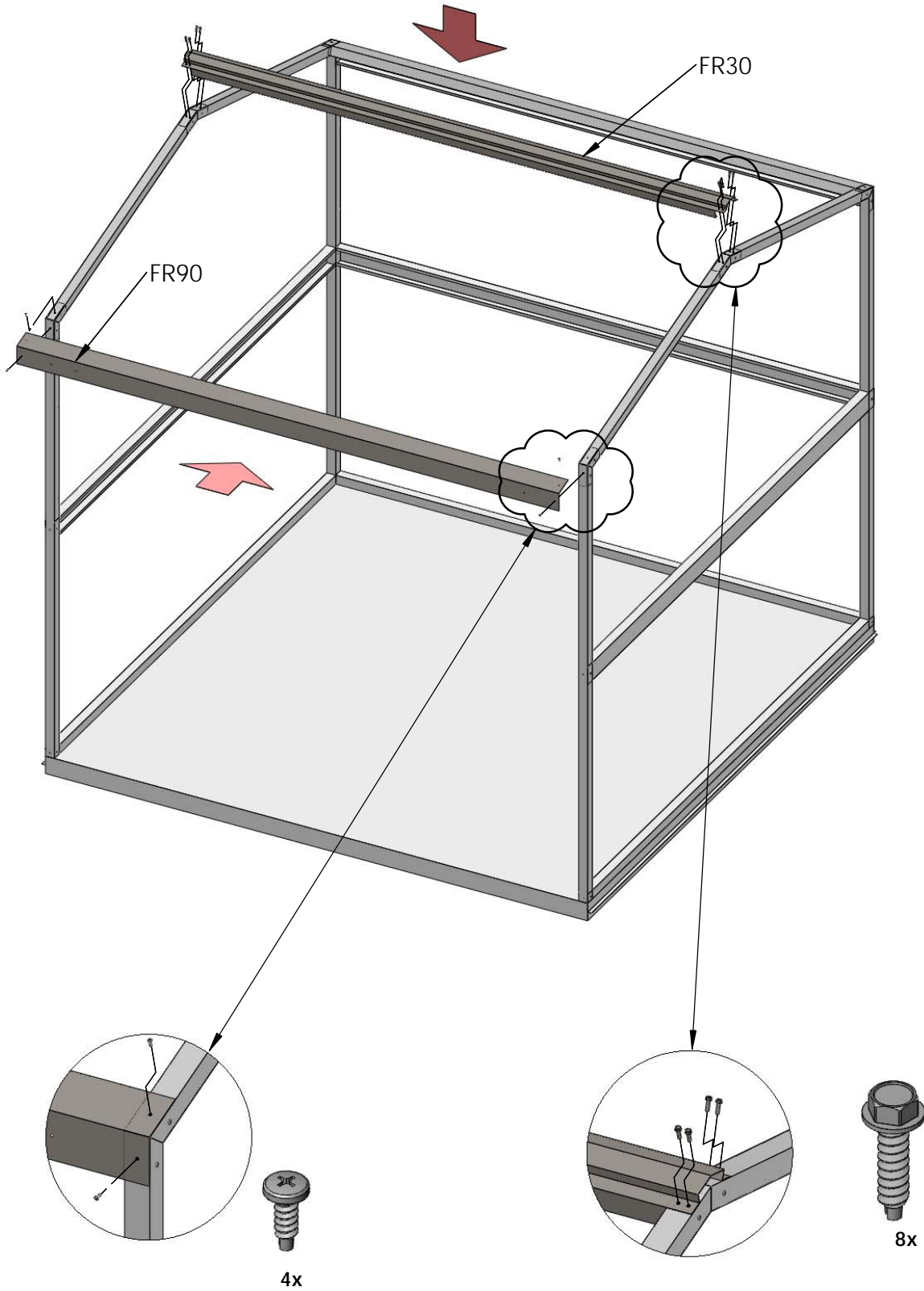
4



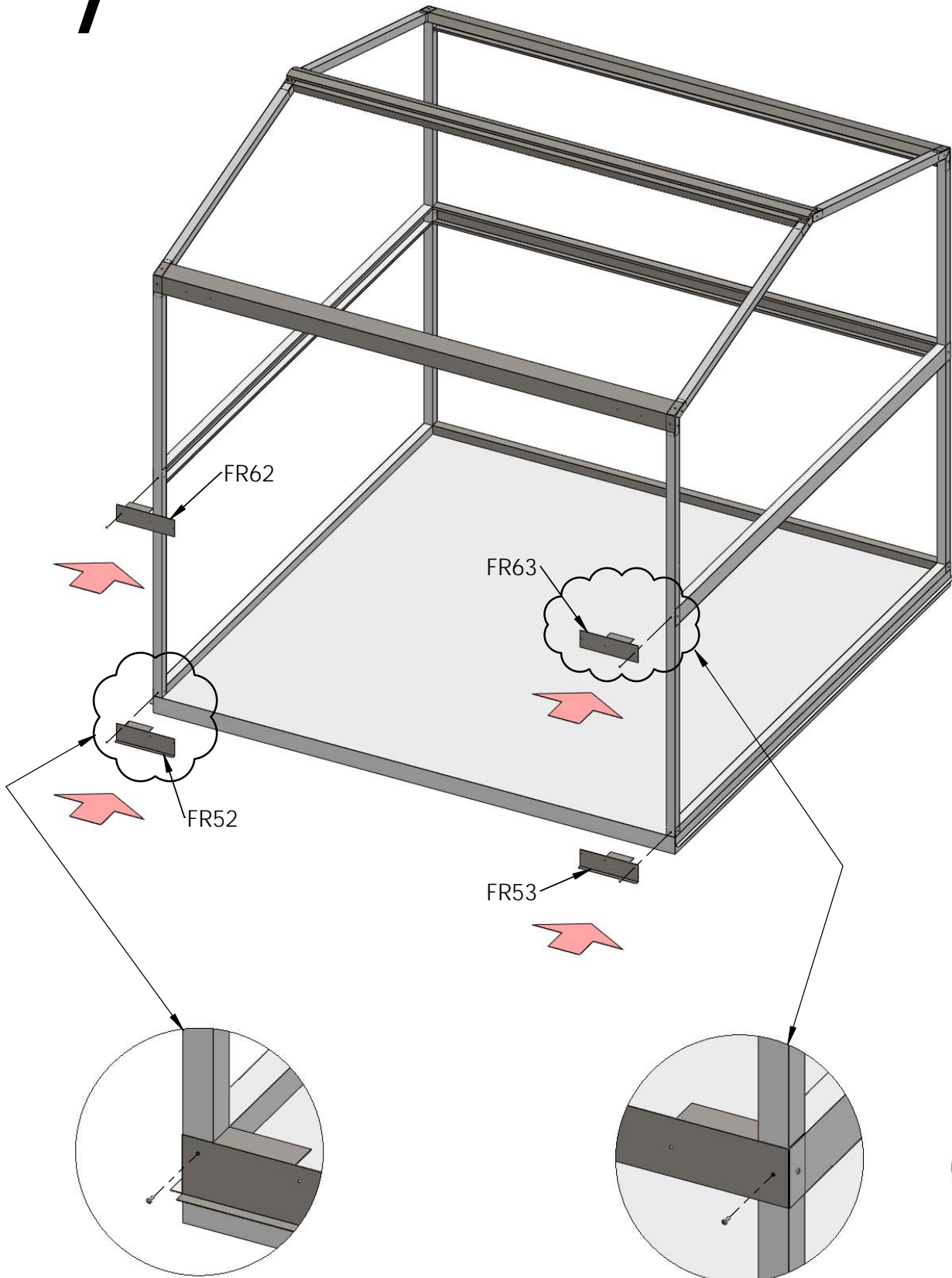
5



6

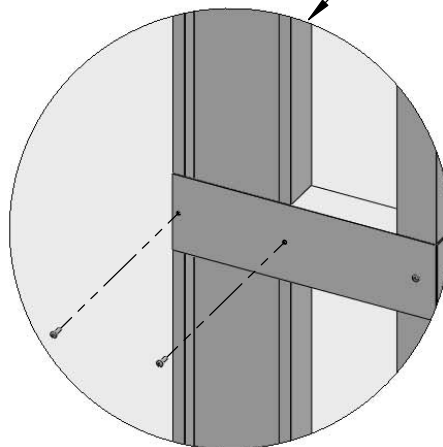
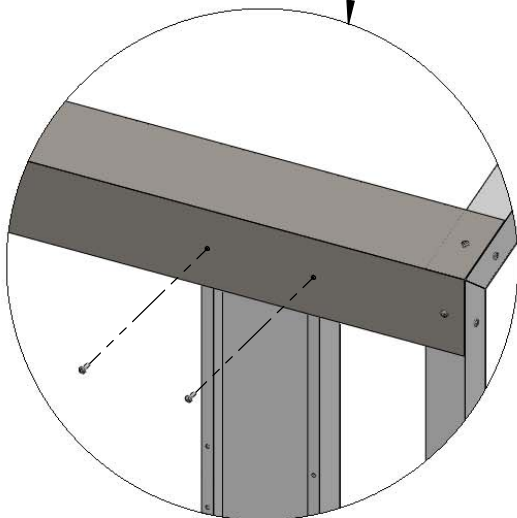
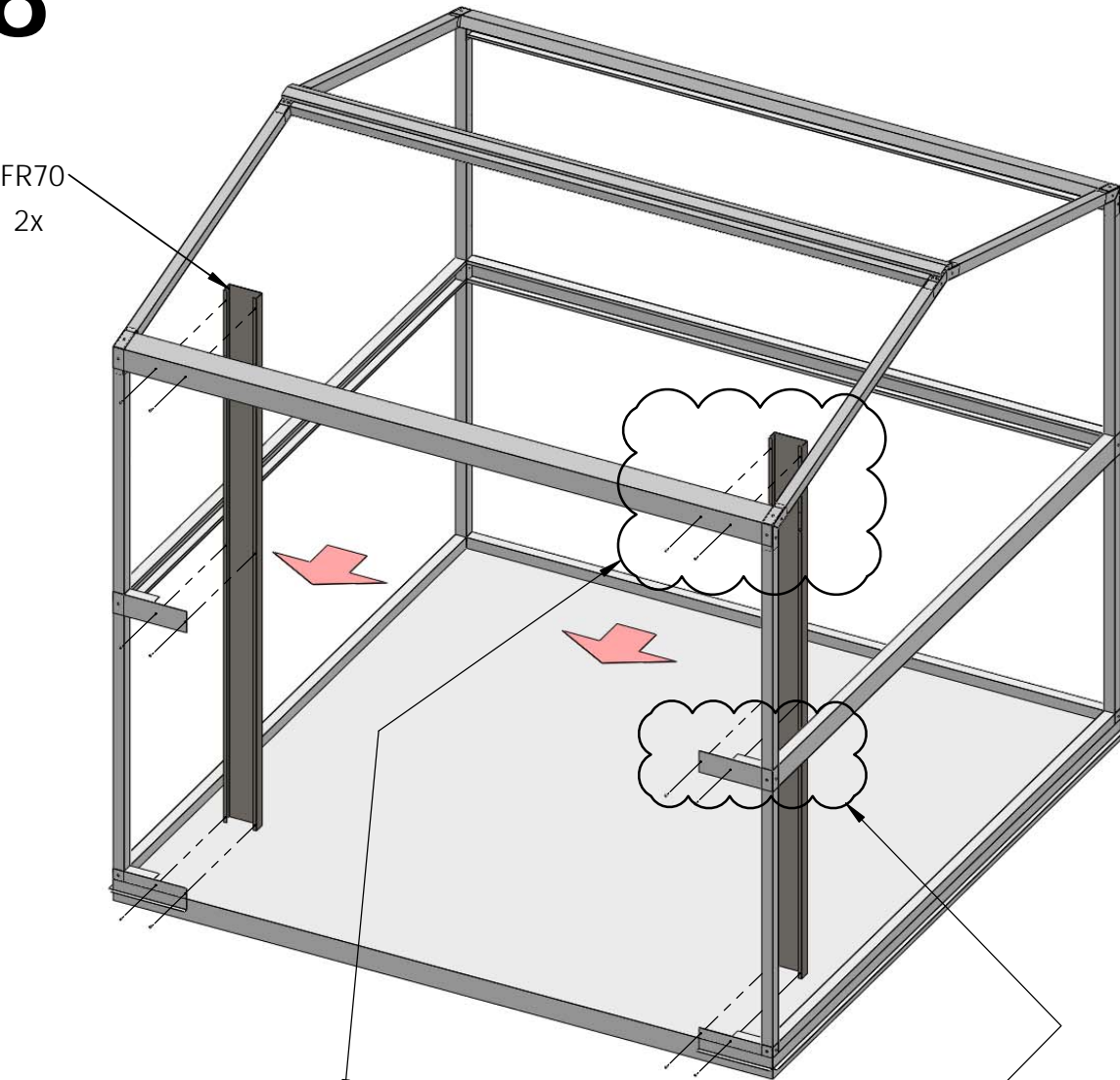


7



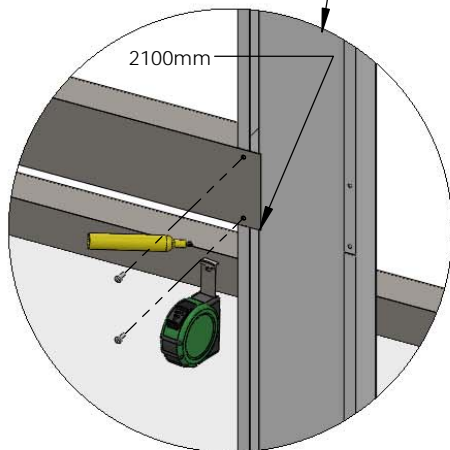
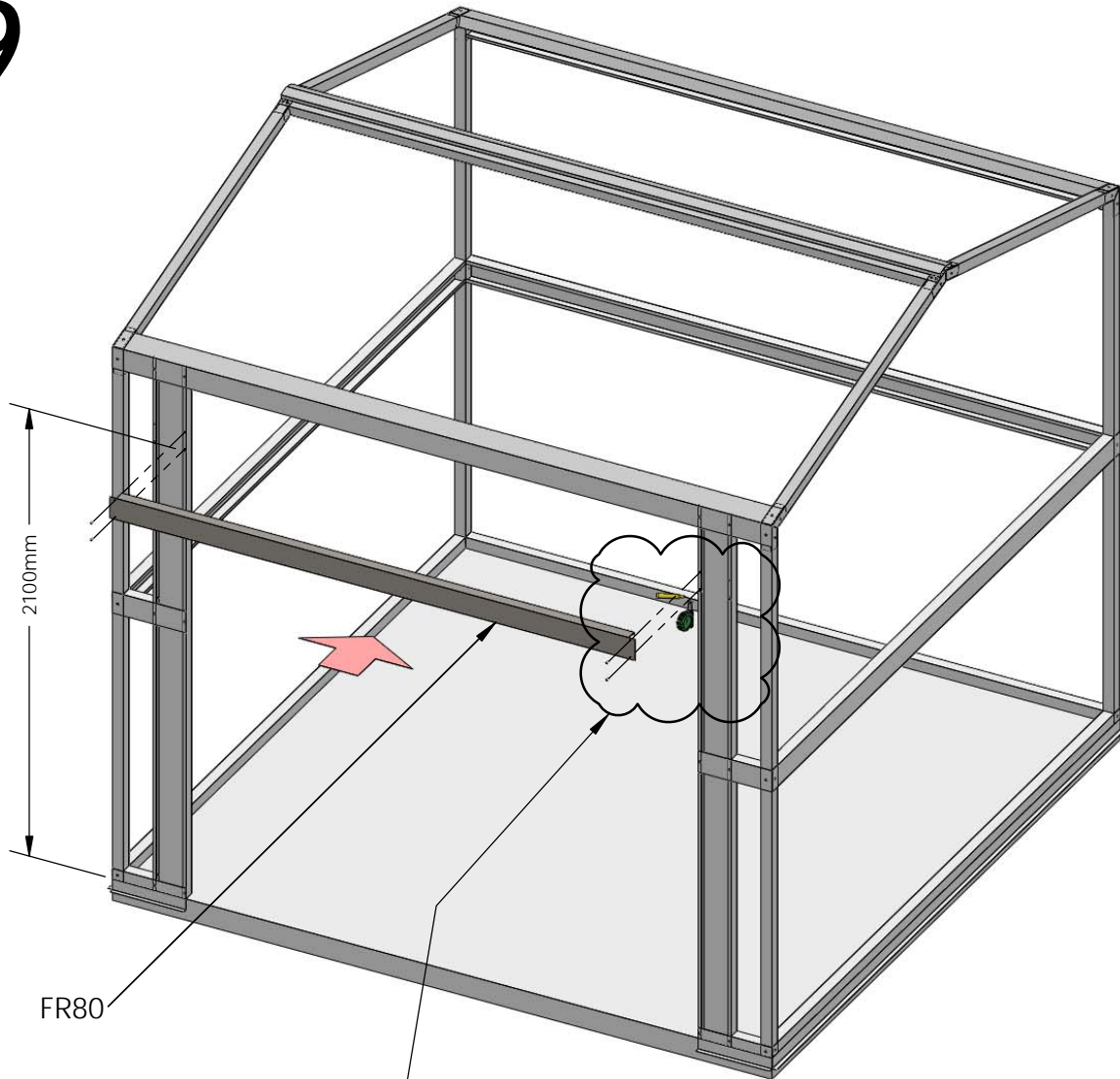
8

FR70
2x



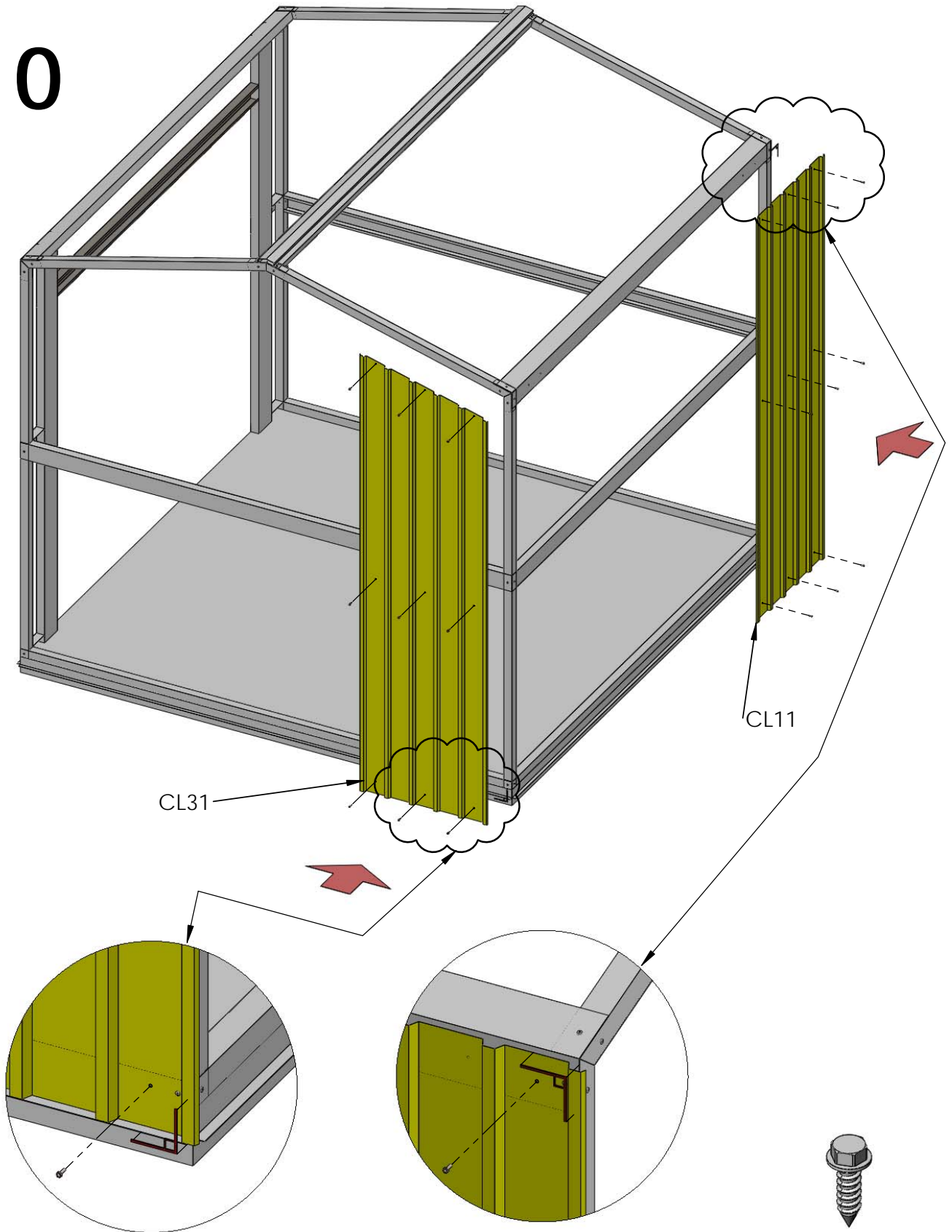
12x

9



4x

10



CL31

CL11

USE CLADDING SHEET TO SQUARE UP FRAME

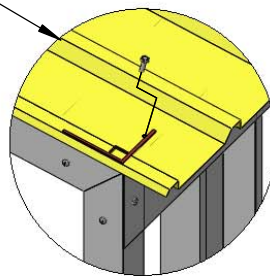
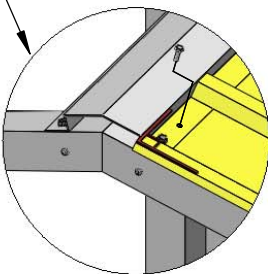
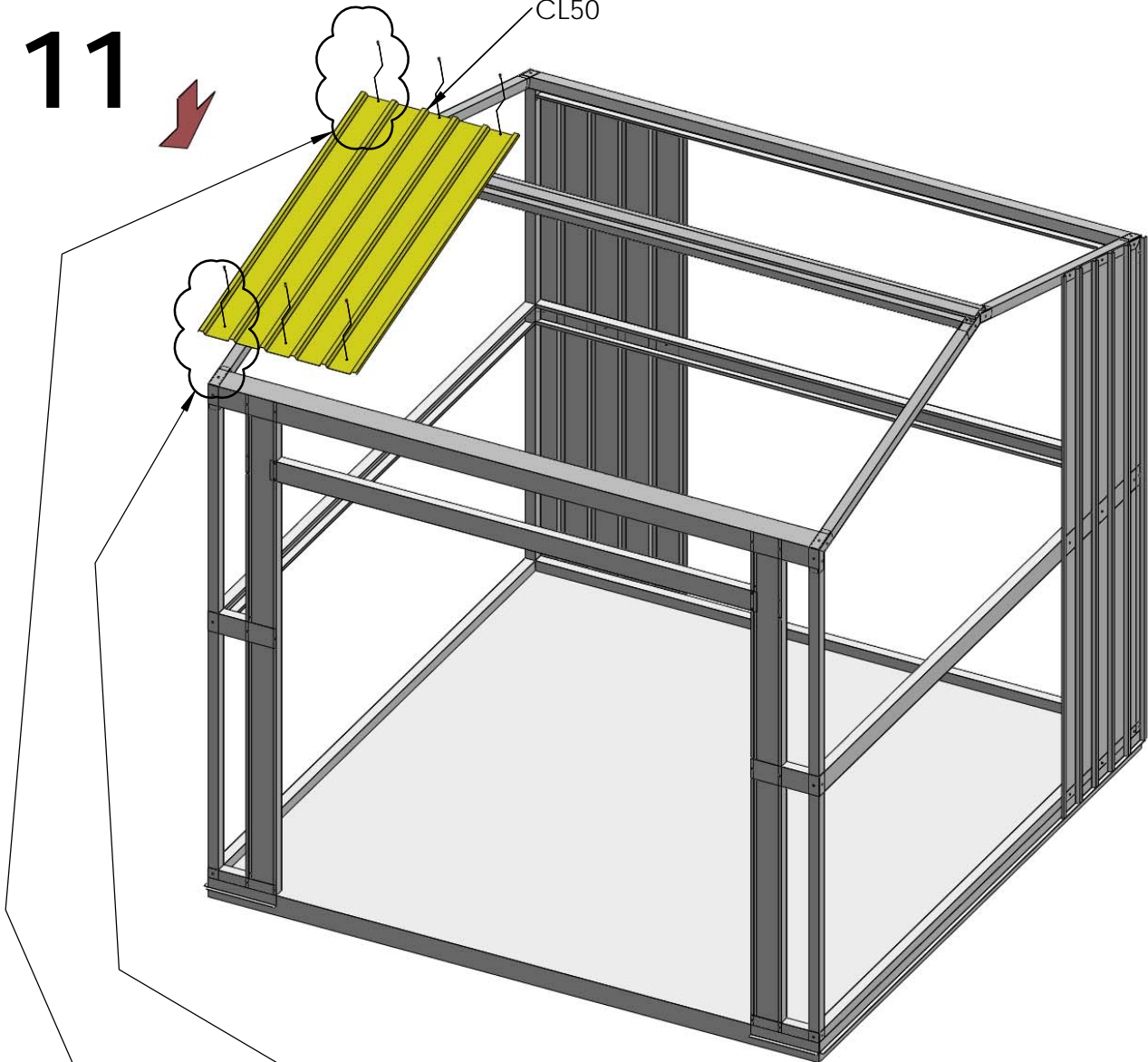


18x

11



CL50

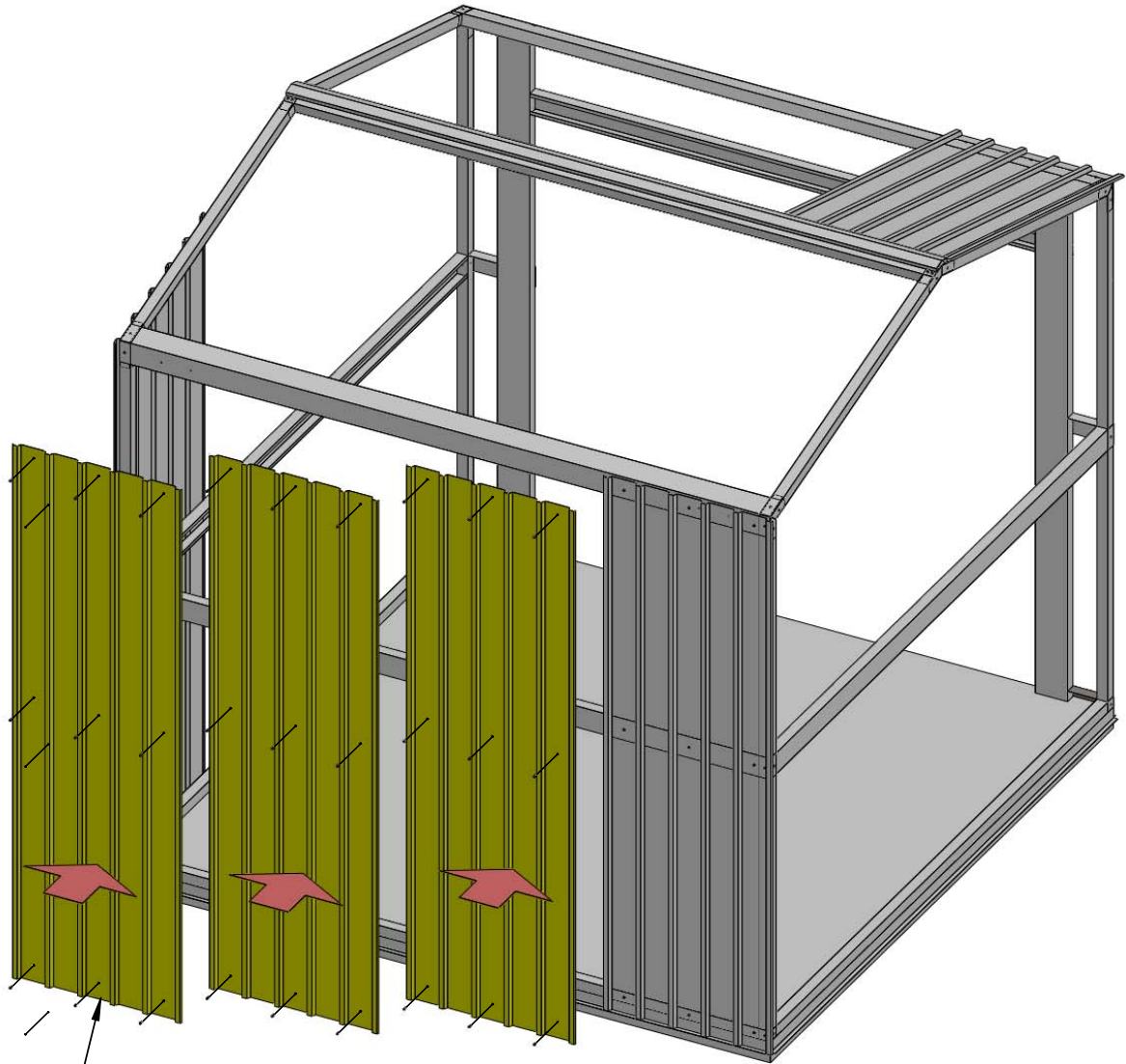


USE CLADDING SHEET TO SQUARE UP FRAME



6x

12

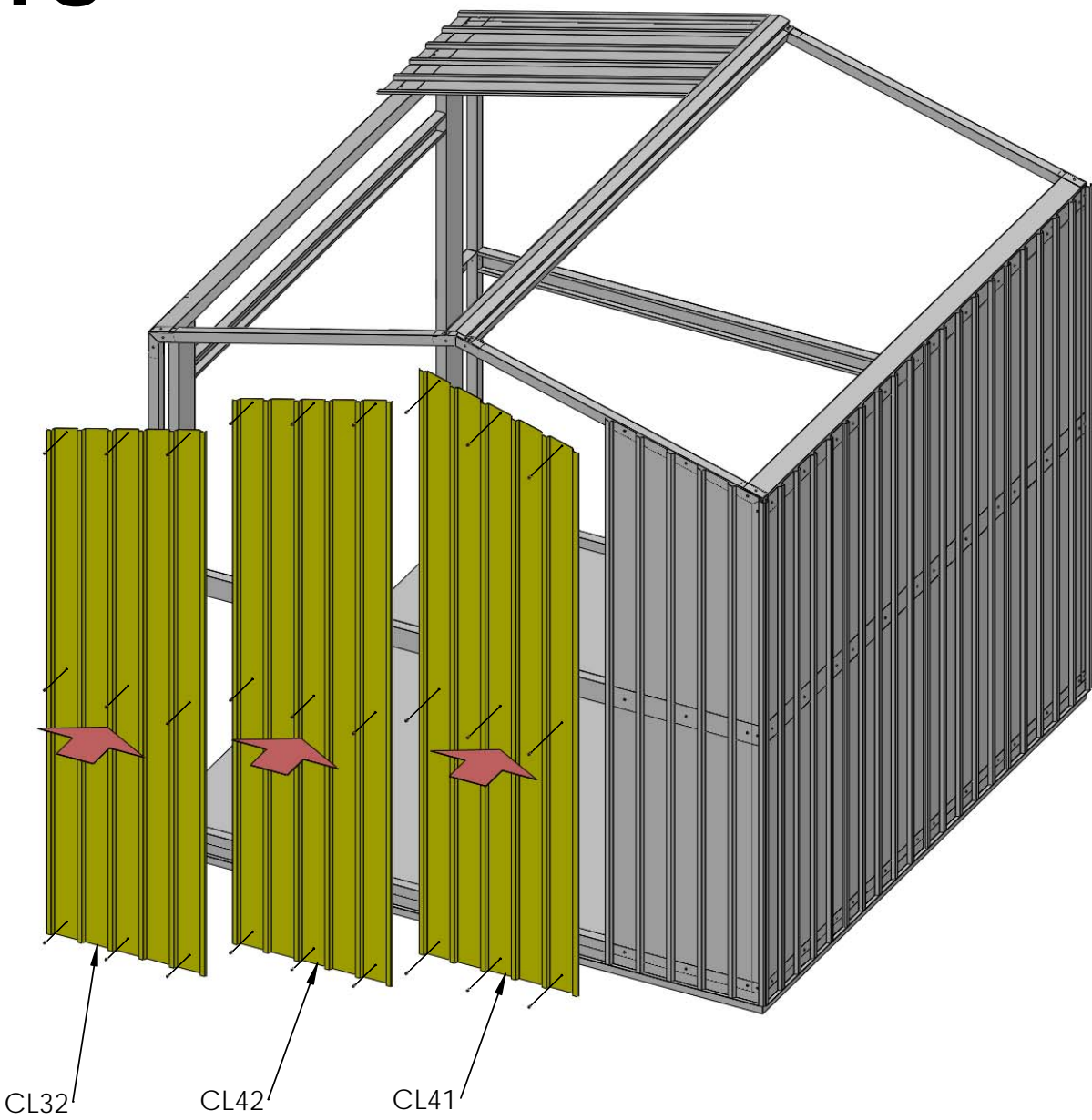


CL11
3x

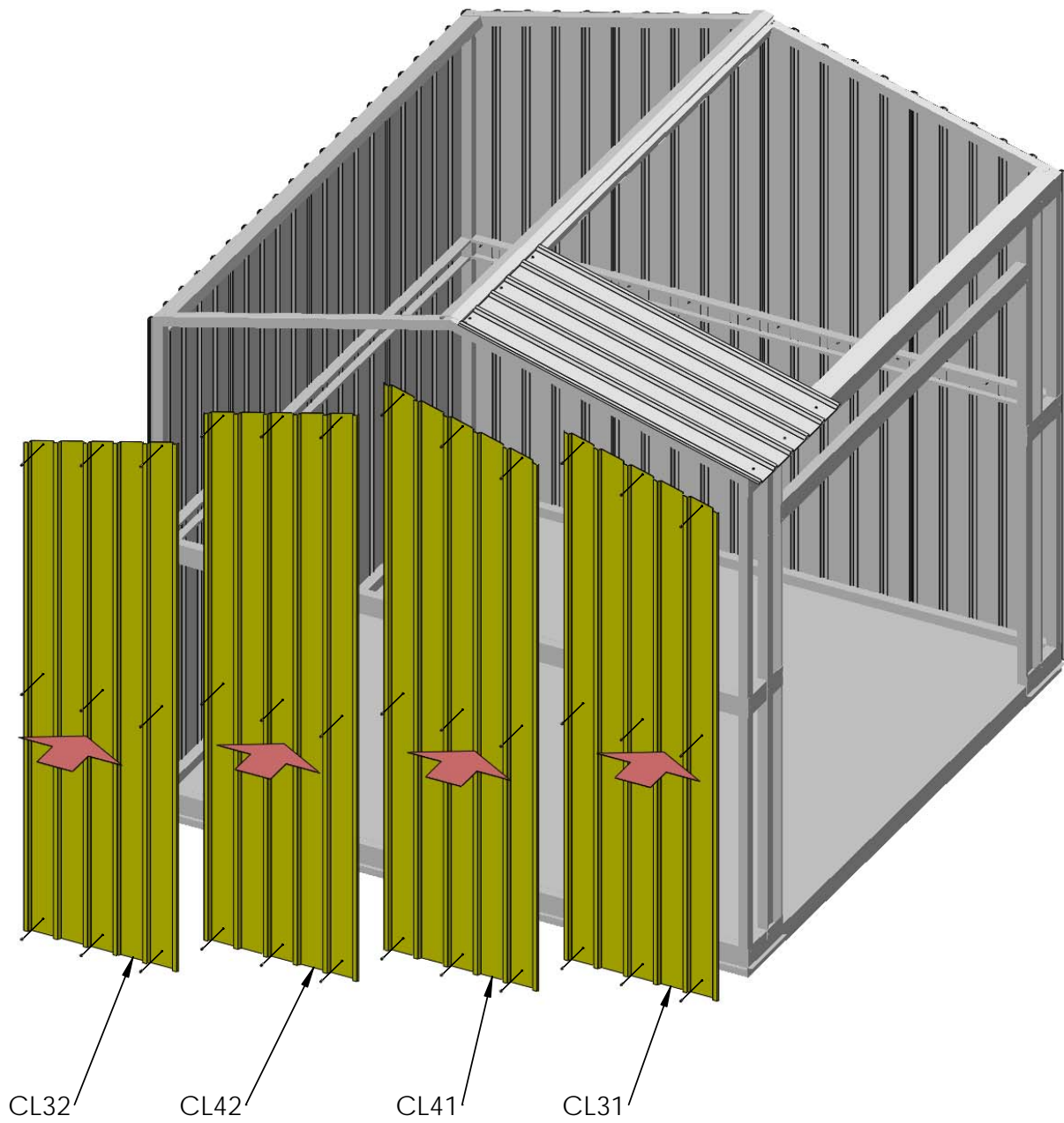


27x

13

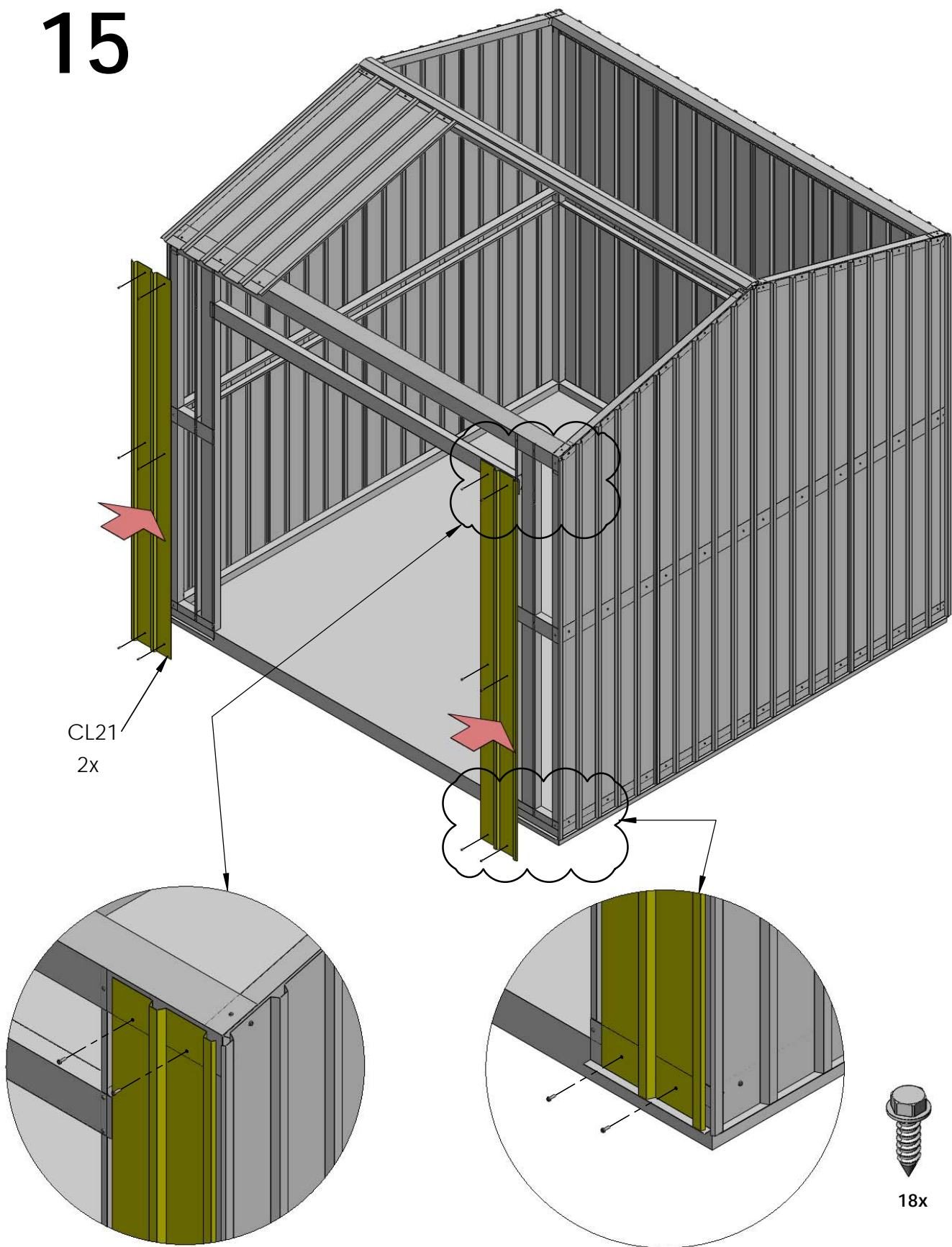


14

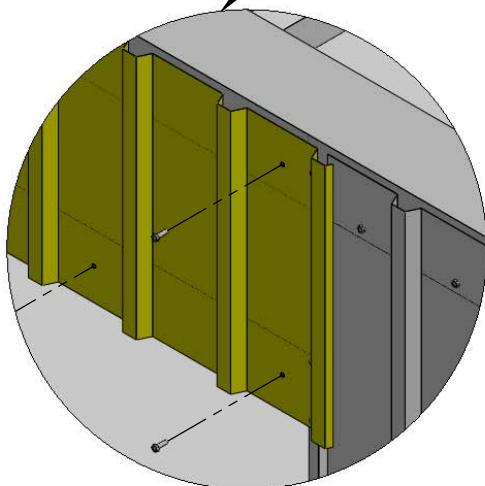
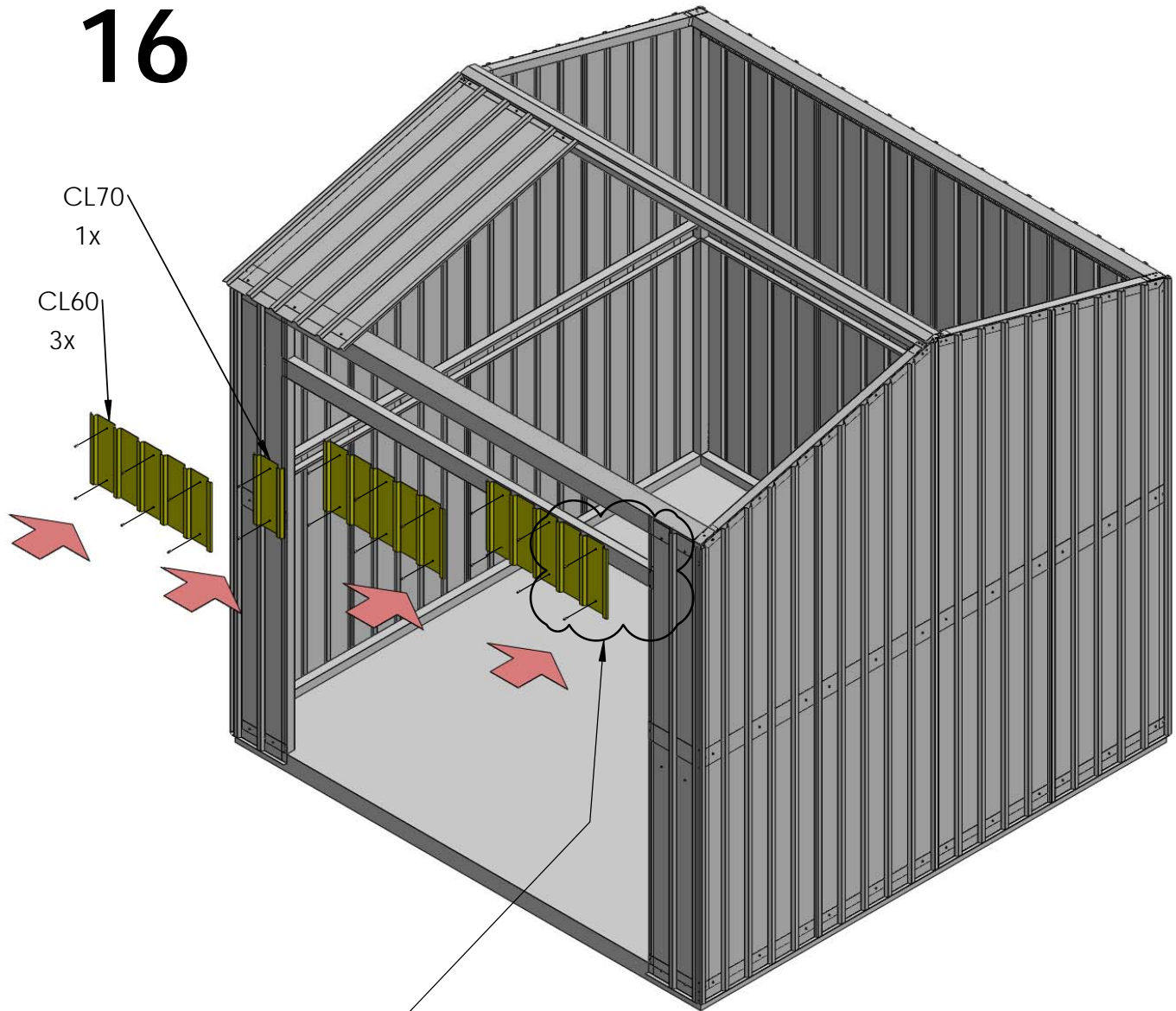


36x

15

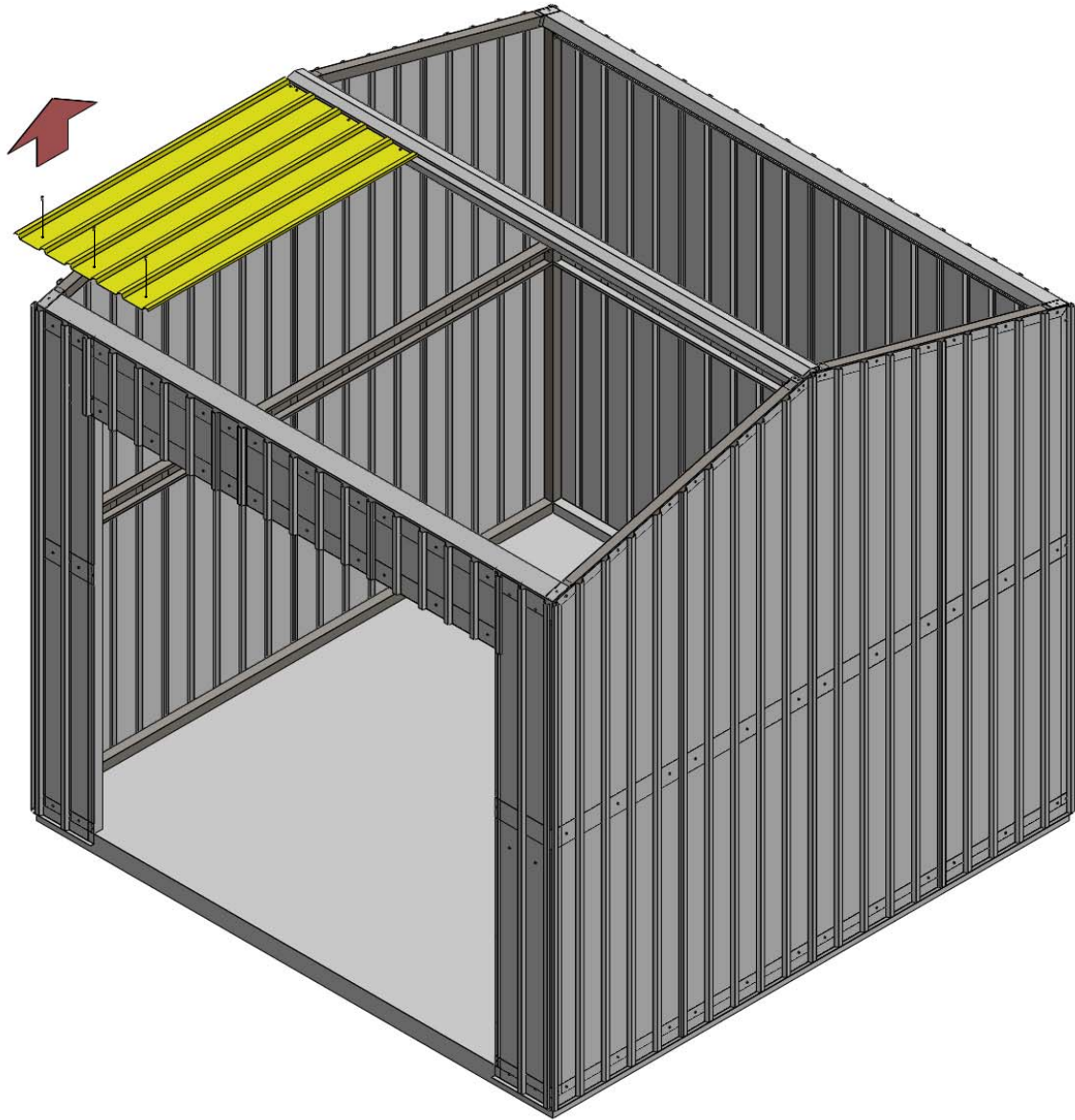


16



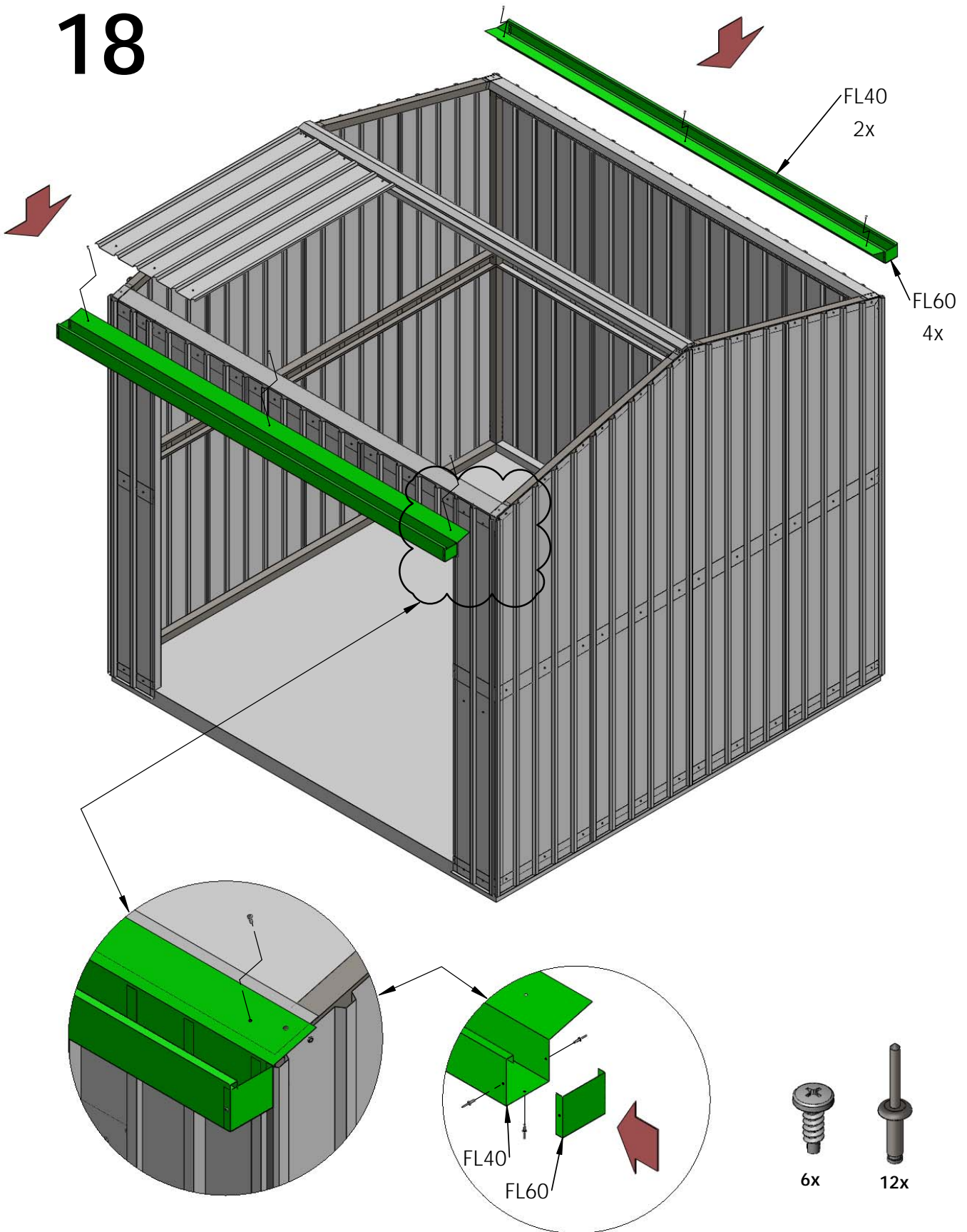
20x

17

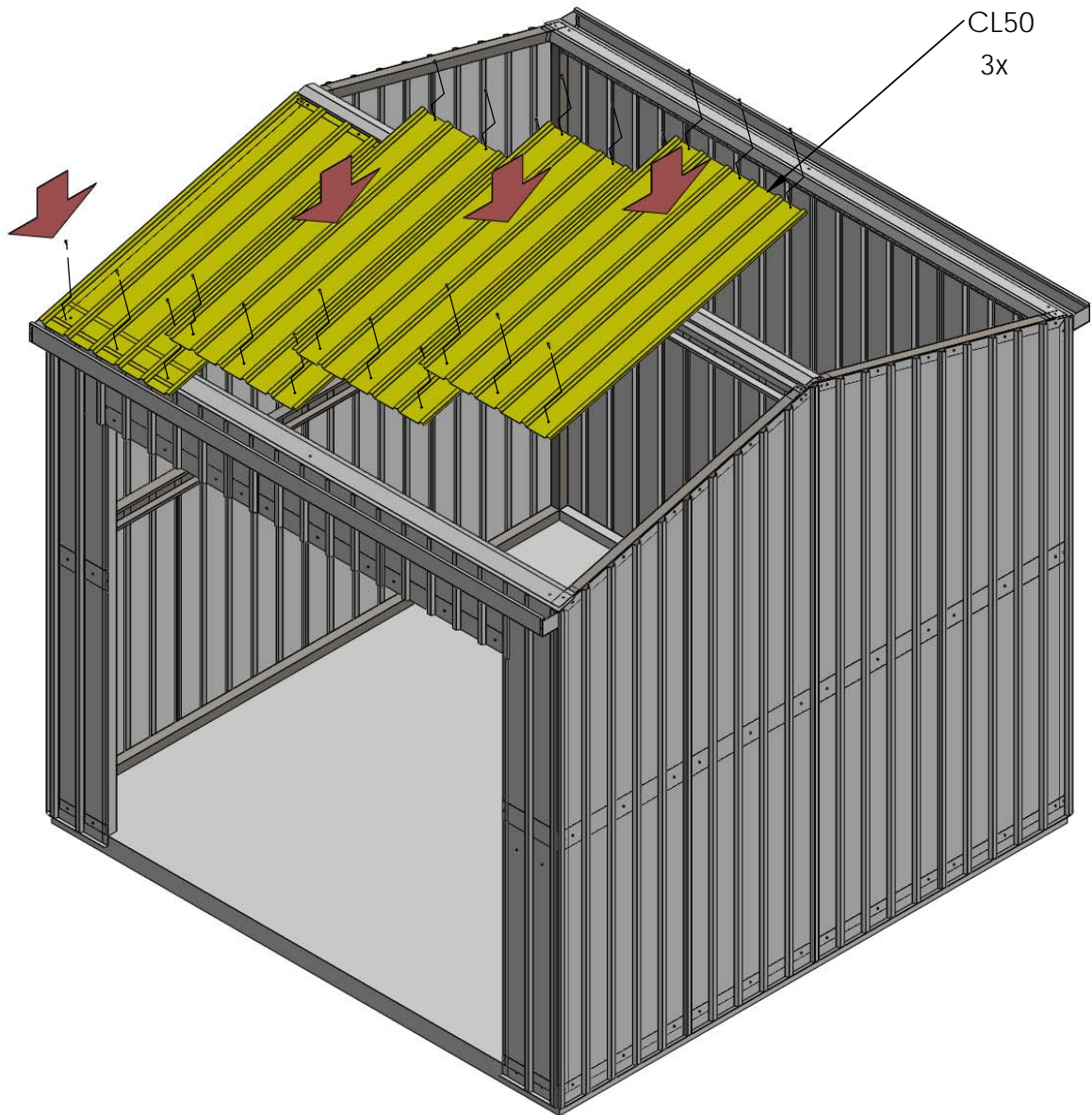


- 3x

18

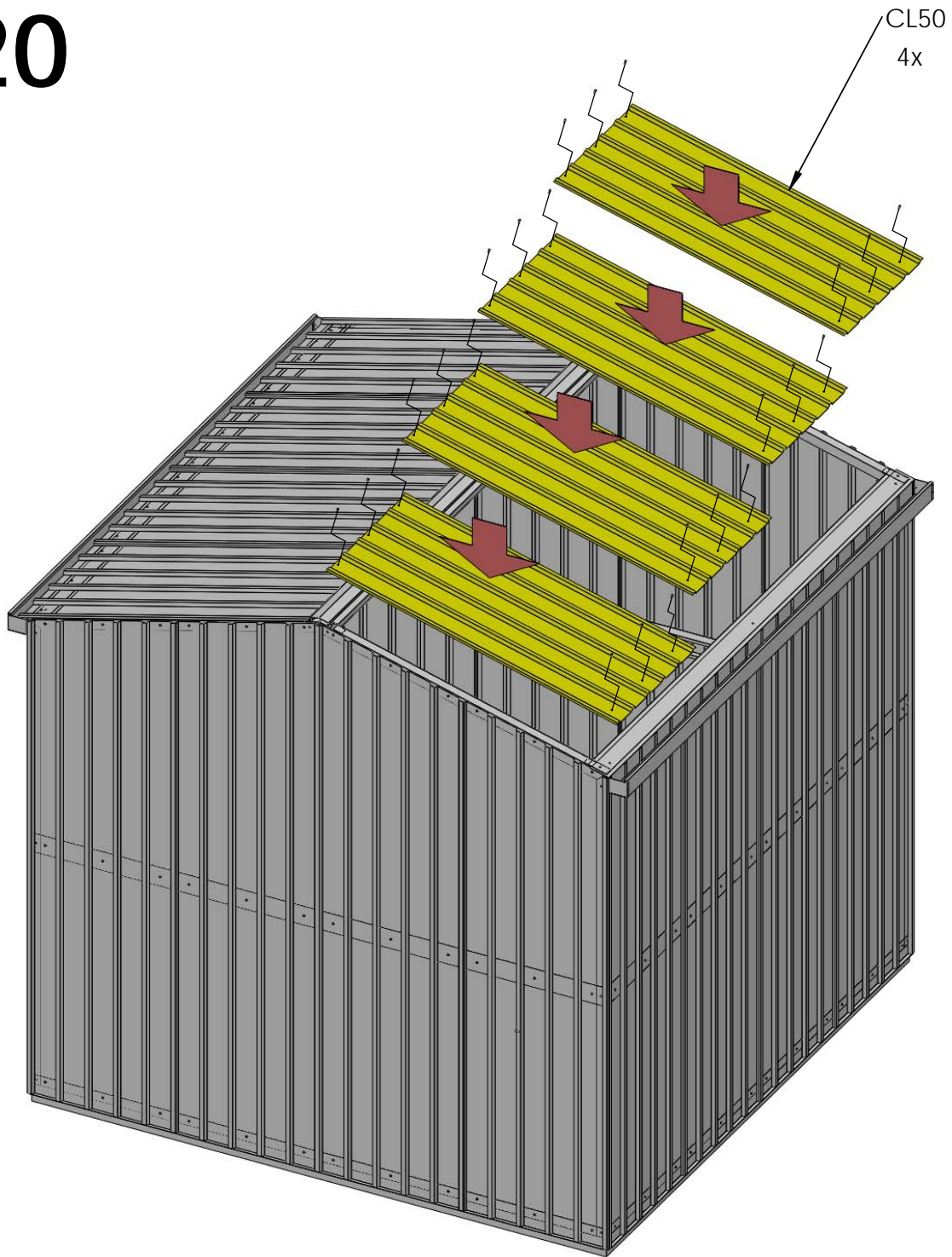


19



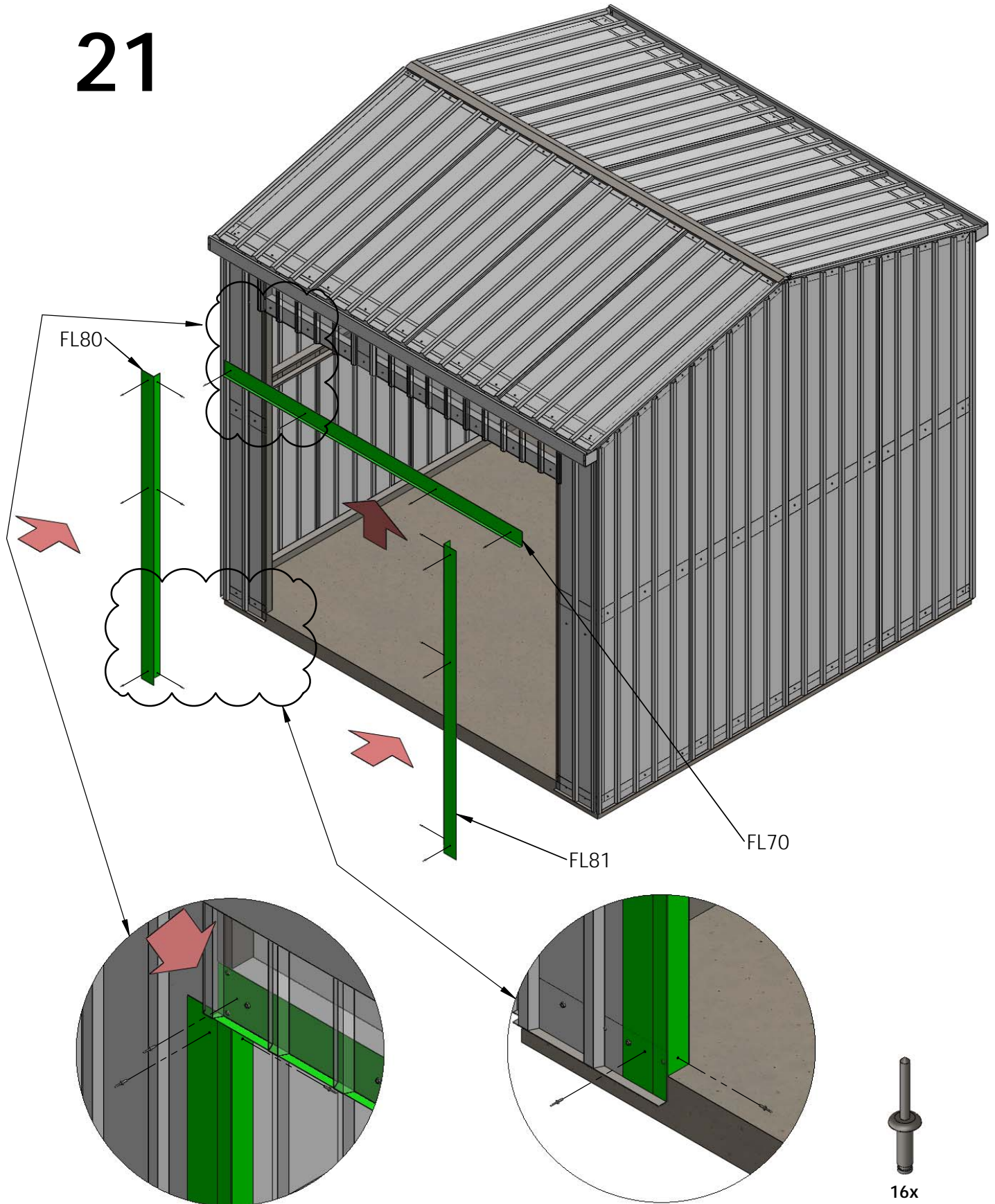
21x

20

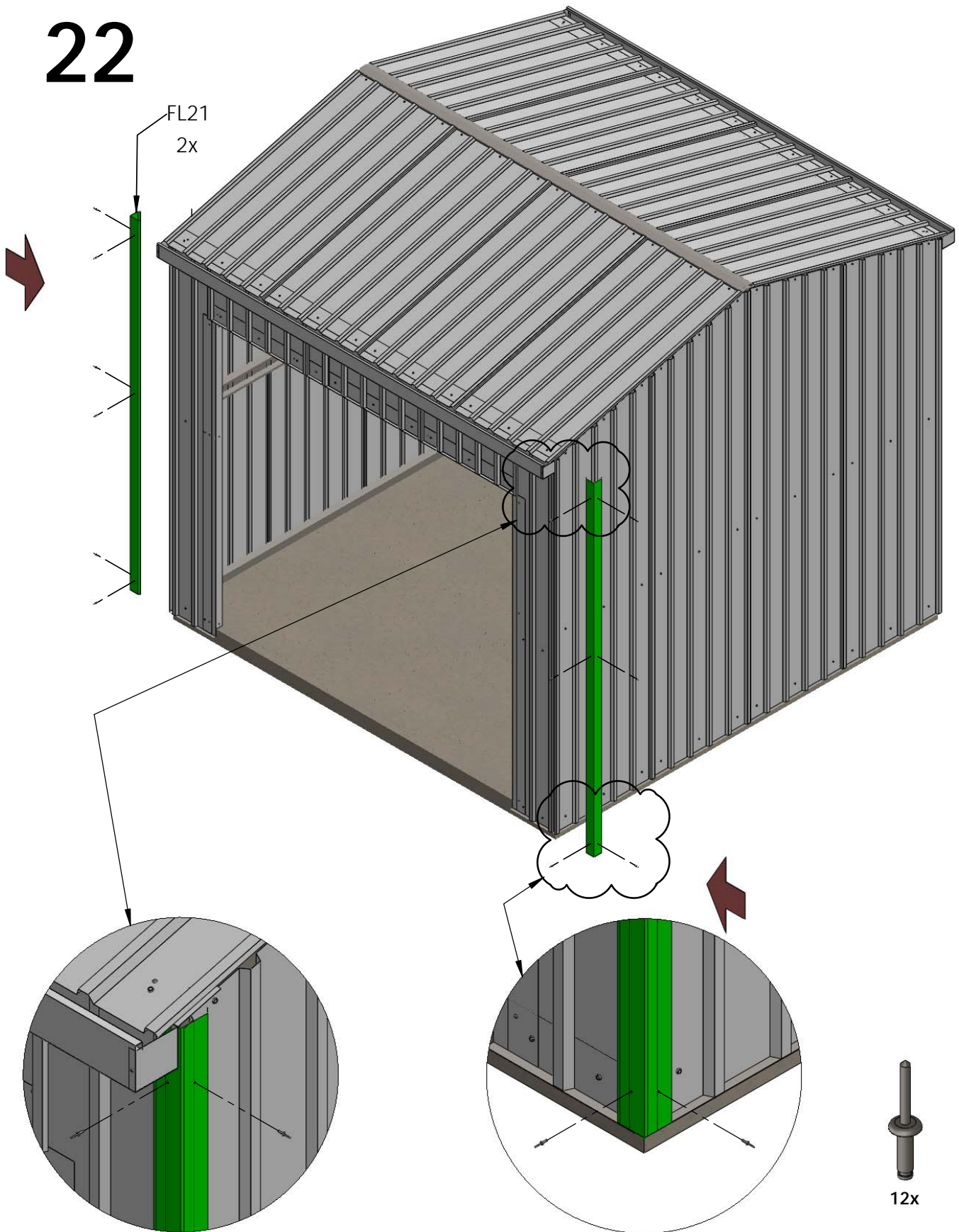


24x

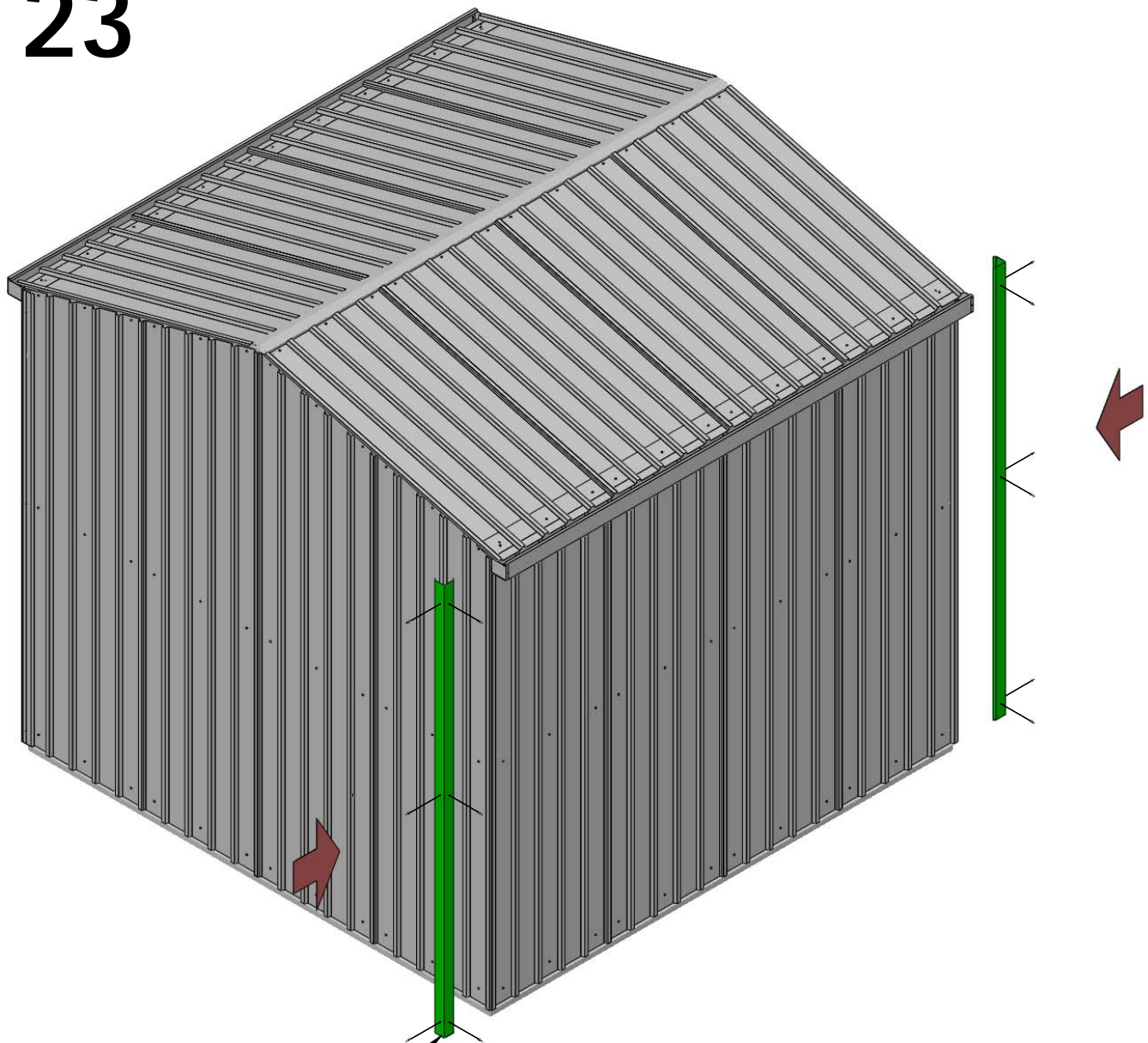
21



22



23

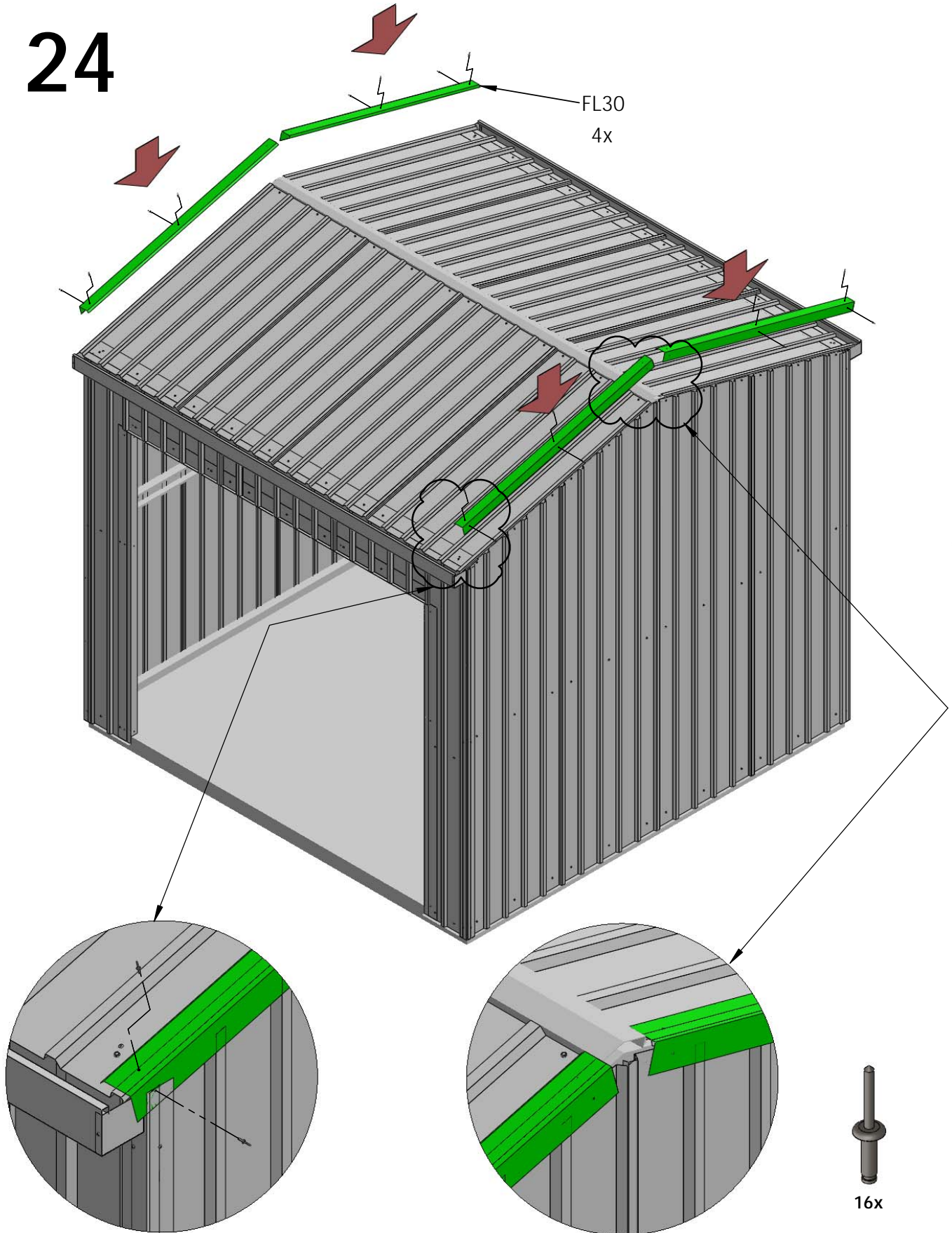


FL21
2x

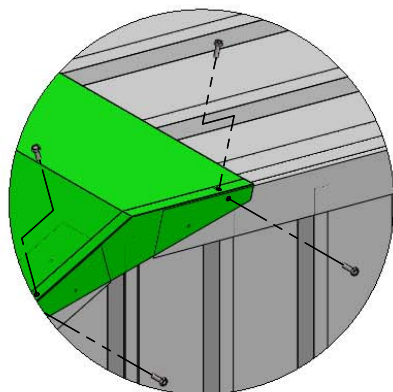
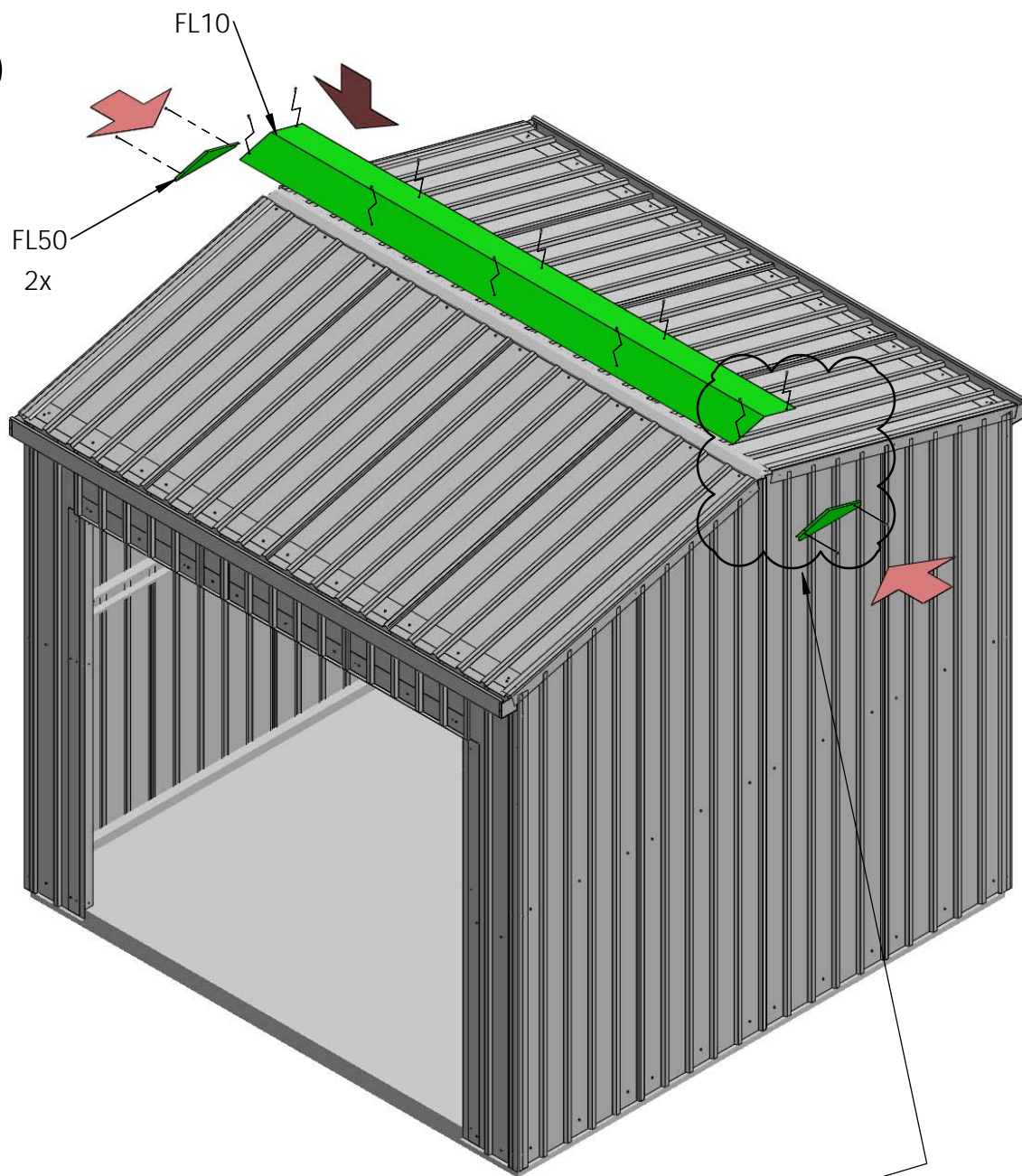


12x

24

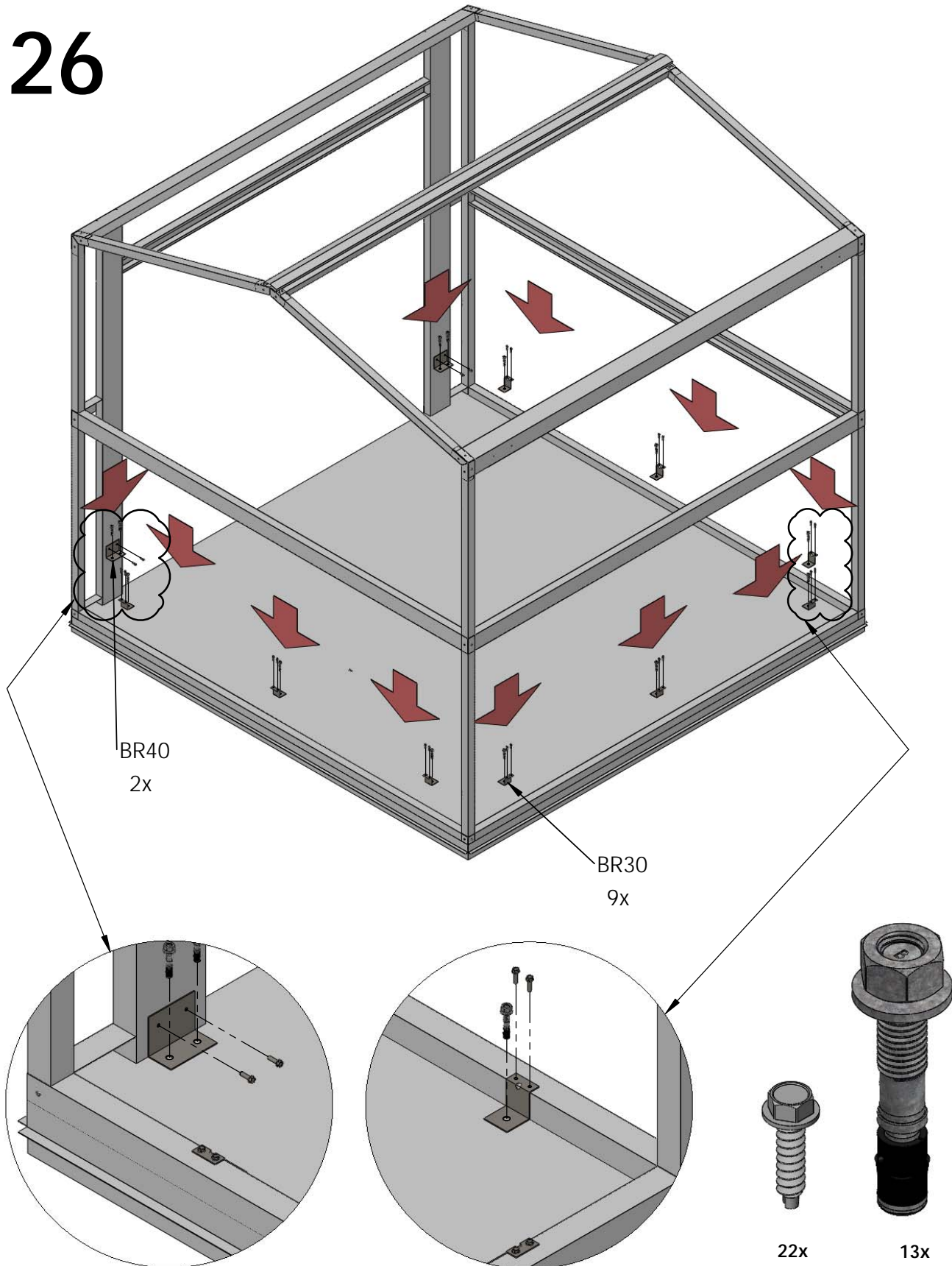


25

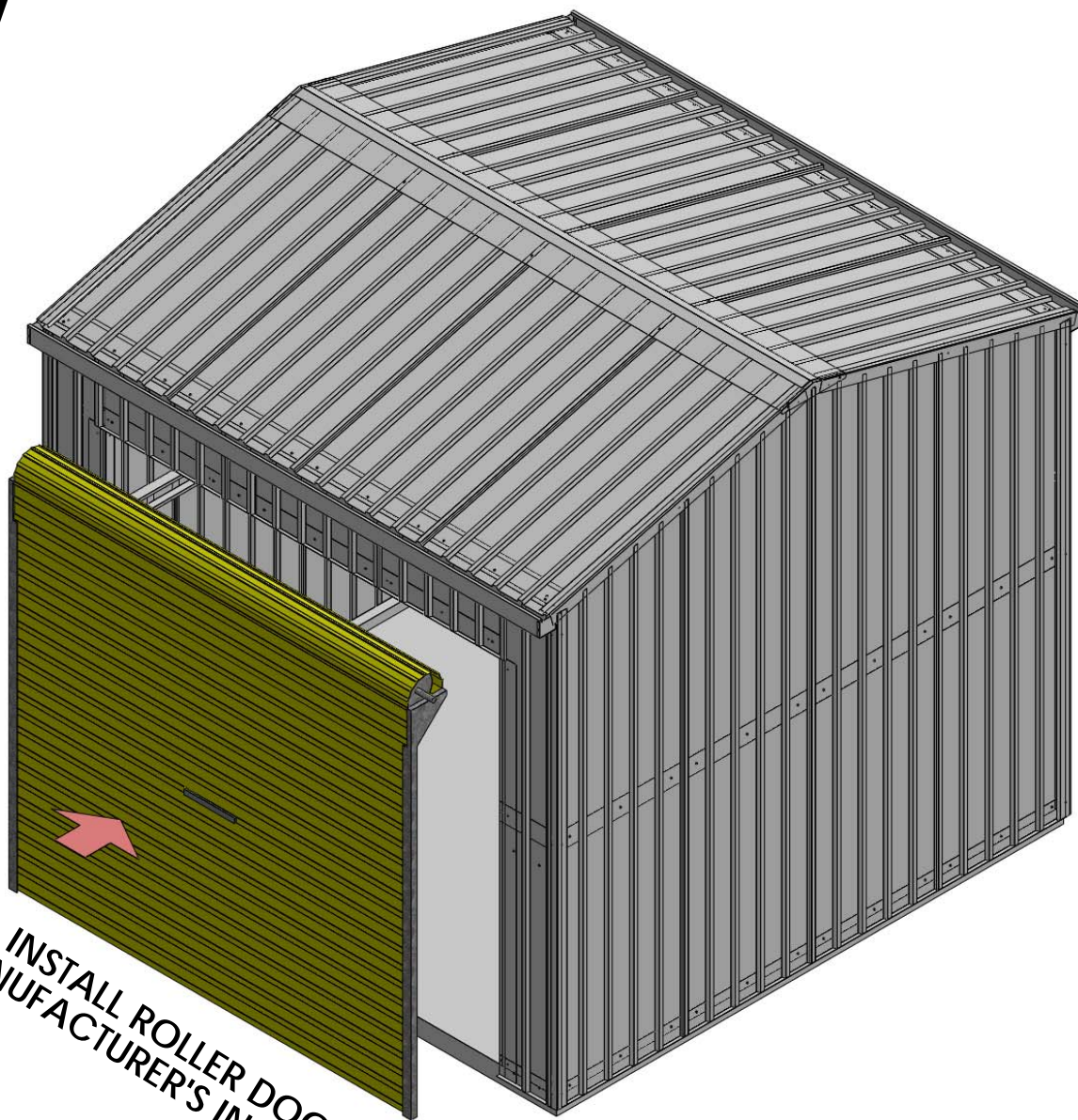


14x

26



27



**INSTALL ROLLER DOOR TO
MANUFACTURER'S INSTRUCTIONS**